

SC-A 045-AR RA L

Part no.: 10.01.06.03135

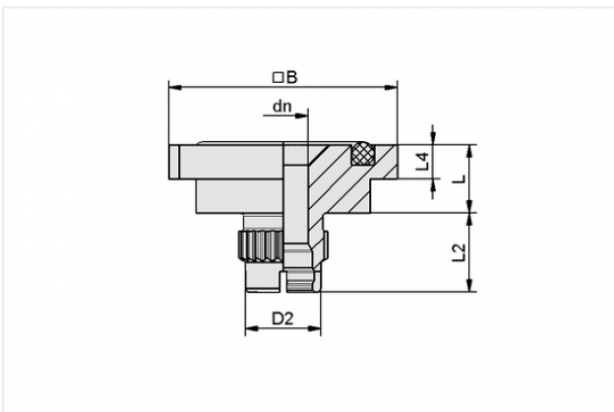
Homepage > Vacuum Technology for Automation > Vacuum Components > Vacuum Suction Cups > Suction Cups for Handling Sheet Metal > SC-A 045-AR RA L

Schmalz-Connector upper part



Connection geometry: 045-AR
Vacuum connection:
Rectangular adapter
Fitting length: 9.5 mm
Construction: Self Locking

Design Data



Attribute	Value
-----------	-------

B	31.8 mm
---	---------

dn	6.9 mm
----	--------

D2	10.5 mm
----	---------

L	9.5 mm
---	--------

L2	11 mm
----	-------

L4	4.7 mm
----	--------

Technical Data

Attribute	Value
Connection	Rectangular adapter
Connection geometry	045-AR

Contact to Schmalz



Attribute	Value
Material	Aluminium
Weight	18.7 g
