

Bell suction cup (oval)

<https://www.schmalz.com/10.01.24.00021>



SAOXM 60x20 ED-85 RA

Part no.: 10.01.24.00021

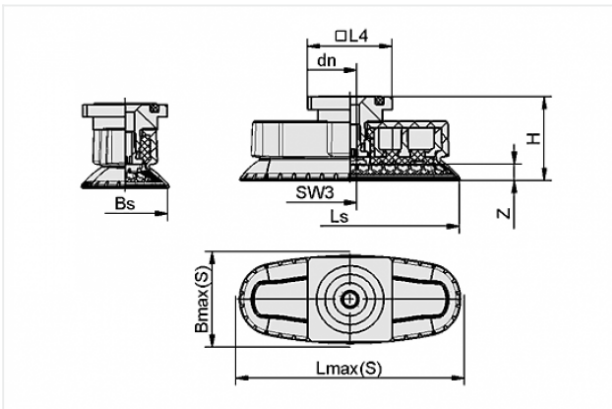
Homepage > Vacuum Technology for Automation > Vacuum Components > Vacuum Suction Cups > Suction Cups for Handling Sheet Metal > Bell-Shaped Suction Cups SAOXM (Oval) > SAOXM 60x20 ED-85 RA

High-Speed bell shaped suction cup for (oval) very dynamic handling of smooth and oily workpieces



Dimensions (LxB): 60 x 20 mm
Suction cup material: Elastodur
Material hardness: 85 °Sh
Vacuum connection:
Rectangular adapter
Nipple material: Aluminium
Additional feature: Friction Disc

Design Data



| Attribute | Value |
|-----------|-------|
|-----------|-------|

| | |
|---------|-------|
| Bmax(S) | 24 mm |
|---------|-------|

| | |
|----|---------|
| Bs | 18.7 mm |
|----|---------|

| | |
|----|--------|
| dn | 5.1 mm |
|----|--------|

| | |
|---|---------|
| H | 30.8 mm |
|---|---------|

| | |
|----|---------|
| L4 | 31.8 mm |
|----|---------|

| | |
|---------|-------|
| Lmax(S) | 67 mm |
|---------|-------|

| | |
|----|---------|
| Ls | 61.8 mm |
|----|---------|

| | |
|-----|------|
| SW3 | 5 mm |
|-----|------|

| | |
|---|--------|
| Z | 4.5 mm |
|---|--------|

Contact to Schmalz

J. Schmalz GmbH | Johannes-Schmalz-Straße, 72293 Glatten, Deutschland | +49 7443 2403-102 | customercenter@schmalz.de

Technical Data

| Attribute | Value |
|---------------------------------|-------------------|
| Suction force | 56 N |
| Lateral force | 44 N |
| Lateral force (oily surface) | 62 N |
| Volume | 5 cm ³ |
| Curve radius (min) (convex) | 10 mm |
| Internal hose diameter (recom.) | 4 mm |
| Dimensions (LxB) | 60 x 20 mm |
| Suction cup material | Elastodur |
| Material hardness | 85 °Sh |
| Weight | 34.9 g |
| Product family | SAOXM |

Spare Parts



SC-A 045-AR RA L

Part no. 10.01.06.03135

Schmalz-Connector upper part

Connection geometry: 045-AR

Vacuum connection:

Rectangular adapter

Fitting length: 9.5 mm

Construction: Self Locking



SC-S 045 L

Part no. 10.01.06.02740

Schmalz-Connector lower part

Size: 045

Construction: Self Locking



SAOXM 60x20 ED-85 SC045-AR

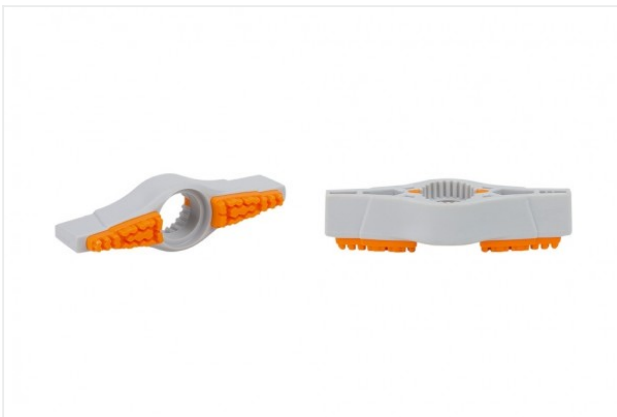
Part no. 10.01.24.00001

-

Dimensions (LxB): 60 x 20 mm

Suction cup material: Elastodur

Material hardness: 85 °Sh



SC-I 045 AR-FDC

Part no. 10.01.24.00009

Schmalz-Connector Einleger

Size: 045

Shape: Anti Rot / Friction Elem

Application: SAOXM 60x20