

Schmalz-Connector upper part



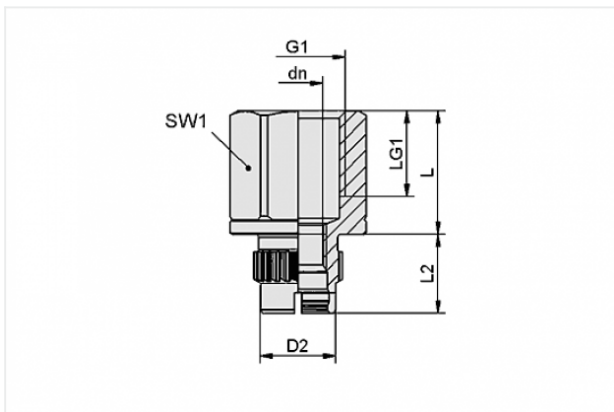
Connection geometry: 045-AR

Thread G1: NPT3/8-F

Fitting length: 17.2 mm

Construction: Self Locking

Design Data



Attribute	Value
-----------	-------

dn	6.9 mm
----	--------

D2	10.5 mm
----	---------

G1	NPT3/8-F
----	----------

L	17.2 mm
---	---------

L2	11 mm
----	-------

LG1	14 mm
-----	-------

SW1	22 mm
-----	-------

Technical Data

Attribute	Value
-----------	-------

Connection geometry	045-AR
---------------------	--------

Contact to Schmalz



Attribute	Value
Material	Brass
Weight	39.9 g
