

# Bell suction cup (oval)

<https://www.schmalz.com/10.01.24.00029>



SAOXM 60x20 ED-85  
M14x1.5-AG

Part no.: 10.01.24.00029

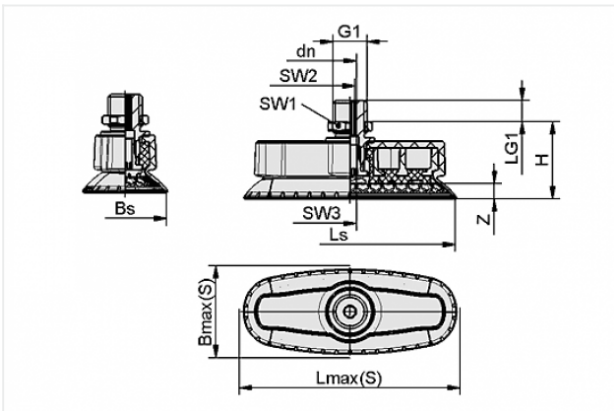
Homepage > Vacuum Technology for Automation > Vacuum Components > Vacuum Suction Cups > Suction Cups for Handling Sheet Metal > Bell-Shaped Suction Cups SAOXM (Oval) > SAOXM 60x20 ED-85 M14x1.5-AG

## High-Speed bell shaped suction cup for (oval) very dynamic handling of smooth and oily workpieces



Dimensions (LxB): 60 x 20 mm  
Suction cup material: Elastodur  
Material hardness: 85 °Sh  
Vacuum connection: M14x1.5-M  
Nipple material: Aluminium  
Additional feature: Friction Disc

### Design Data



Attribute	Value
-----------	-------

Bmax(S)	24 mm
---------	-------

Bs	18.7 mm
----	---------

dn	4.1 mm
----	--------

G1	M14x1.5-M
----	-----------

H	31.3 mm
---	---------

LG1	8 mm
-----	------

Lmax(S)	67 mm
---------	-------

Ls	61.8 mm
----	---------

SW1	22 mm
-----	-------

SW2	4 mm
-----	------

SW3	5 mm
-----	------

Z	4.5 mm
---	--------

### Contact to Schmalz

J. Schmalz GmbH | Johannes-Schmalz-Straße, 72293 Glatten, Deutschland | +49 7443 2403-102 | [customercenter@schmalz.de](mailto:customercenter@schmalz.de)

## Technical Data

Attribute	Value
Suction force	56 N
Lateral force	44 N
Lateral force (oily surface)	62 N
Volume	5 cm <sup>3</sup>
Curve radius (min) (convex)	10 mm
Internal hose diameter (recom.)	4 mm
Dimensions (LxB)	60 x 20 mm
Suction cup material	Elastodur
Material hardness	85 °Sh
Weight	38.6 g
Product family	SAOXM

## Spare Parts



### SC-A 045-AR M14x1.5-AG L

Part no. 10.01.06.03137

Schmalz-Connector upper part

Connection geometry: 045-AR

Thread G1: M14x1.5-M

Fitting length: 2 mm

Construction: Self Locking

## Contact to Schmalz



**SC-S 045 L**

Part no. 10.01.06.02740

Schmalz-Connector lower part

Size: 045

Construction: Self Locking



**SAOXM 60x20 ED-85 SC045-AR**

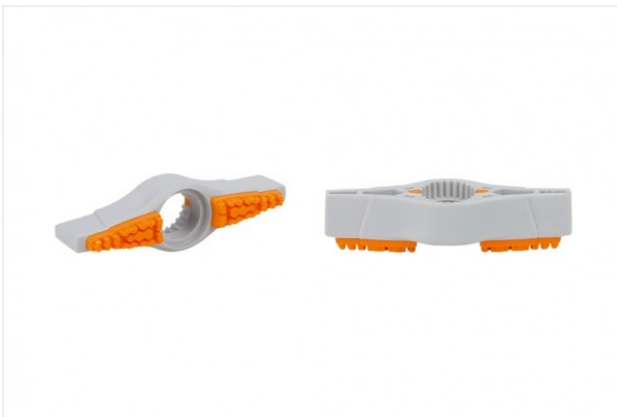
Part no. 10.01.24.00001

-

Dimensions (LxB): 60 x 20 mm

Suction cup material: Elastodur

Material hardness: 85 °Sh



**SC-I 045 AR-FDC**

Part no. 10.01.24.00009

Schmalz-Connector Einleger

Size: 045

Shape: Anti Rot / Friction Elem

Application: SAOXM 60x20