

## SC-A 045-AR M10-AG L

Part no.: 10.01.06.03136

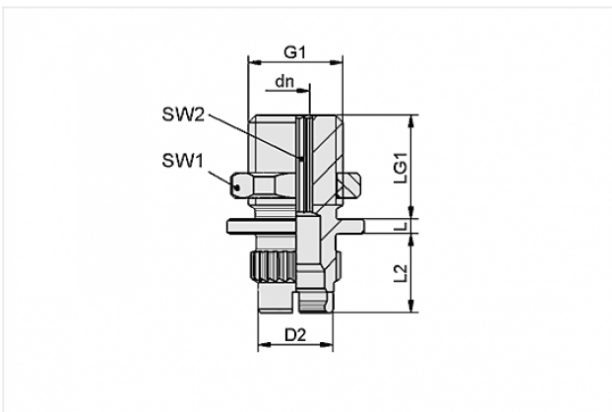
Homepage > Vacuum Technology for Automation > Vacuum Components > Vacuum Suction Cups > Suction Cups for Handling Sheet Metal > SC-A 045-AR M10-AG L

### Schmalz-Connector upper part



Connection geometry: 045-AR  
Thread G1: M10-M  
Fitting length: 3.5 mm  
Construction: Self Locking

### Design Data



Attribute	Value
-----------	-------

dn	4.1 mm
----	--------

D2	10.5 mm
----	---------

G1	M10-M
----	-------

L	3.5 mm
---	--------

L2	11 mm
----	-------

LG1	14.5 mm
-----	---------

SW1	16 mm
-----	-------

SW2	4 mm
-----	------

### Technical Data

#### Contact to Schmalz

J. Schmalz GmbH | Johannes-Schmalz-Straße, 72293 Glatten, Deutschland | +49 7443 2403-102 | [customercenter@schmalz.de](mailto:customercenter@schmalz.de)



Attribute	Value
Connection geometry	045-AR
Material	Aluminium
Weight	5.3 g