

Bell suction cup (oval)

SAOXM 60x20 ED-85 G3/8-IG

<https://www.schmalz.com/10.01.24.00017>



Part no.: 10.01.24.00017

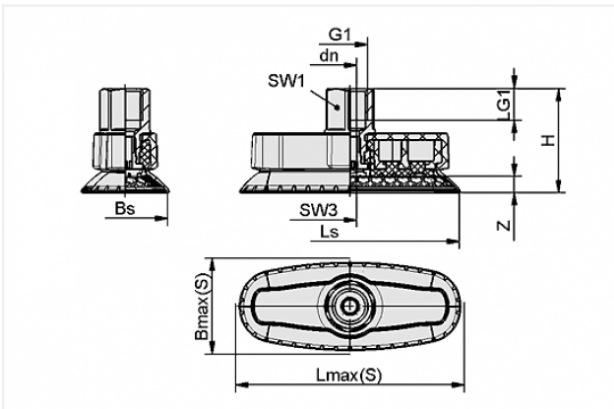
Homepage > Vacuum Technology for Automation > Vacuum Components > Vacuum Suction Cups > Suction Cups for Handling Sheet Metal > Bell-Shaped Suction Cups SAOXM (Oval) > SAOXM 60x20 ED-85 G3/8-IG

High-Speed bell shaped suction cup for (oval) very dynamic handling of smooth and oily workpieces



Dimensions (LxB): 60 x 20 mm
 Suction cup material: Elastodur
 Material hardness: 85 °Sh
 Vacuum connection: G3/8-F
 Nipple material: Aluminium
 Additional feature: Friction Disc

Design Data



Attribute	Value
Bmax(S)	24 mm
Bs	18.7 mm
dn	5.1 mm
G1	G3/8"-F
H	38.5 mm
LG1	12 mm
Lmax(S)	67 mm
Ls	61.8 mm
SW1	22 mm
SW3	5 mm
Z	4.5 mm

Contact to Schmalz

J. Schmalz GmbH | Johannes-Schmalz-Straße, 72293 Glatten, Deutschland | +49 7443 2403-102 | customercenter@schmalz.de

Technical Data

Attribute	Value
Suction force	56 N
Lateral force	44 N
Lateral force (oily surface)	62 N
Volume	5 cm ³
Curve radius (min) (convex)	10 mm
Internal hose diameter (recom.)	4 mm
Dimensions (LxB)	60 x 20 mm
Suction cup material	Elastodur
Material hardness	85 °Sh
Weight	29.7 g
Product family	SAOXM

Spare Parts



SC-I 045 AR-FDC

Part no. 10.01.24.00009

Schmalz-Connector Einleger

Size: 045

Shape: Anti Rot / Friction Elem

Application: SAOXM 60x20



SC-A 045-AR G3/8-IG L

Part no. 10.01.06.03132

Schmalz-Connector upper part

Connection geometry: 045-AR

Thread G1: G3/8-F

Fitting length: 17.2 mm

Construction: Self Locking



SC-S 045 L

Part no. 10.01.06.02740

Schmalz-Connector lower part

Size: 045

Construction: Self Locking



SAOXM 60x20 ED-85 SC045-AR

Part no. 10.01.24.00001

-

Dimensions (LxB): 60 x 20 mm

Suction cup material: Elastodur

Material hardness: 85 °Sh