

## SC-A 045-AR G1/4-IG L

Part no.: 10.01.06.03130

Homepage > Vacuum Technology for Automation > Vacuum Components > Vacuum Suction Cups > Suction Cups for Handling Sheet Metal > SC-A 045-AR G1/4-IG L

### Schmalz-Connector upper part



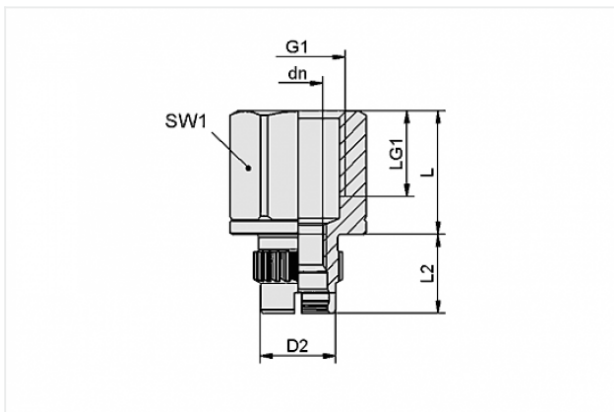
Connection geometry: 045-AR

Thread G1: G1/4-F

Fitting length: 17.2 mm

Construction: Self Locking

### Design Data



Attribute	Value
-----------	-------

dn	6.9 mm
----	--------

D2	10.5 mm
----	---------

G1	G1/4"-F
----	---------

L	17.2 mm
---	---------

L2	11 mm
----	-------

LG1	14.8 mm
-----	---------

SW1	17 mm
-----	-------

### Technical Data

Attribute	Value
-----------	-------

Connection geometry	045-AR
---------------------	--------

### Contact to Schmalz

J. Schmalz GmbH | Johannes-Schmalz-Straße, 72293 Glatten, Deutschland | +49 7443 2403-102 | [customercenter@schmalz.de](mailto:customercenter@schmalz.de)



Attribute	Value
Material	Aluminium
Weight	9.1 g

---

---