

Bell suction cup (oval)

SAOXM 60x20 ED-85 G1/4-IG

<https://www.schmalz.com/10.01.24.00013>



Part no.: 10.01.24.00013

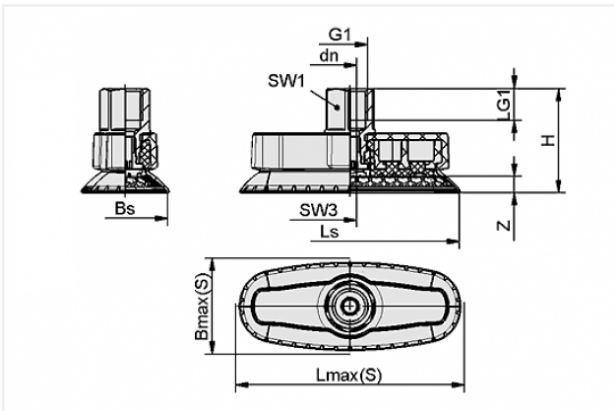
Homepage > Vacuum Technology for Automation > Vacuum Components > Vacuum Suction Cups > Suction Cups for Handling Sheet Metal > Bell-Shaped Suction Cups SAOXM (Oval) > SAOXM 60x20 ED-85 G1/4-IG

High-Speed bell shaped suction cup for (oval) very dynamic handling of smooth and oily workpieces



Dimensions (LxB): 60 x 20 mm
 Suction cup material: Elastodur
 Material hardness: 85 °Sh
 Vacuum connection: G1/4-F
 Nipple material: Aluminium
 Additional feature: Friction Disc

Design Data



| Attribute | Value |
|-----------|---------|
| Bmax(S) | 24 mm |
| Bs | 18.7 mm |
| dn | 5.1 mm |
| G1 | G1/4"-F |
| H | 38.5 mm |
| LG1 | 12 mm |
| Lmax(S) | 67 mm |
| Ls | 61.8 mm |
| SW1 | 17 mm |
| SW3 | 5 mm |
| Z | 4.5 mm |

Contact to Schmalz

J. Schmalz GmbH | Johannes-Schmalz-Straße, 72293 Glatten, Deutschland | +49 7443 2403-102 | customercenter@schmalz.de

Technical Data

| Attribute | Value |
|---------------------------------|-------------------|
| Suction force | 56 N |
| Lateral force | 44 N |
| Lateral force (oily surface) | 62 N |
| Volume | 5 cm ³ |
| Curve radius (min) (convex) | 10 mm |
| Internal hose diameter (recom.) | 4 mm |
| Dimensions (LxB) | 60 x 20 mm |
| Suction cup material | Elastodur |
| Material hardness | 85 °Sh |
| Weight | 25.3 g |
| Product family | SAOXM |

Spare Parts



SC-I 045 AR-FDC

Part no. 10.01.24.00009

Schmalz-Connector Einleger

Size: 045

Shape: Anti Rot / Friction Elem

Application: SAOXM 60x20



SC-A 045-AR G1/4-IG L

Part no. 10.01.06.03130

Schmalz-Connector upper part

Connection geometry: 045-AR

Thread G1: G1/4-F

Fitting length: 17.2 mm

Construction: Self Locking



SC-S 045 L

Part no. 10.01.06.02740

Schmalz-Connector lower part

Size: 045

Construction: Self Locking



SAOXM 60x20 ED-85 SC045-AR

Part no. 10.01.24.00001

-

Dimensions (LxB): 60 x 20 mm

Suction cup material: Elastodur

Material hardness: 85 °Sh