

SC-S 045 L

Part no.: 10.01.06.02740

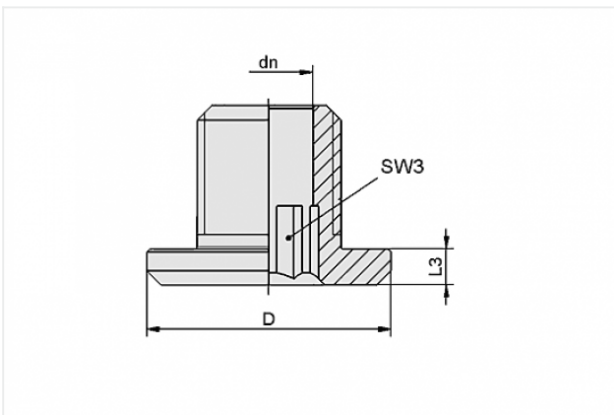
Homepage > Vacuum Technology for Automation > Vacuum Components > Vacuum Suction Cups > Suction Cups for Handling Sheet Metal > SC-S 045 L

Schmalz-Connector lower part



Size: 045
Construction: Self Locking

Design Data



Attribute	Value
-----------	-------

dn	5.1 mm
----	--------

D	13 mm
---	-------

L3	2 mm
----	------

SW3	5 mm
-----	------

Technical Data

Attribute	Value
-----------	-------

Weight	3.7 g
--------	-------

Contact to Schmalz

J. Schmalz GmbH | Johannes-Schmalz-Straße, 72293 Glatten, Deutschland | +49 7443 2403-102 | customercenter@schmalz.de

