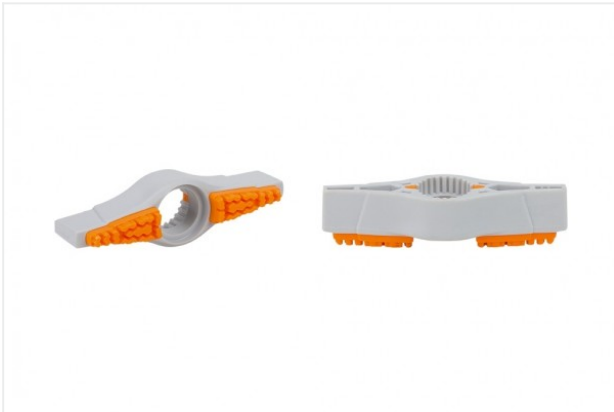
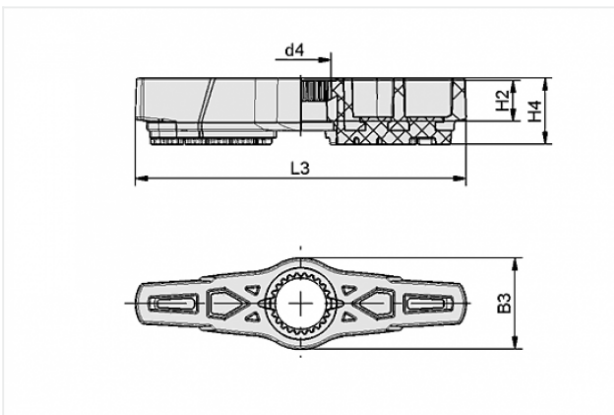


## Schmalz-Connector Einleger



Size: 045  
 Shape: Anti Rot / Friction Elem  
 Application: SAOXM 60x20

## Design Data



Attribute	Value
B3	16 mm
d4	12.7 mm
H2	8.5 mm
H4	13.9 mm
L3	55.8 mm

## Technical Data

Attribute	Value
Suction cup material	Elastodur
Material hardness	60 °Sh

## Contact to Schmalz



Attribute	Value
Weight	5.4 g

---

---