

Bell suction cup (round)

<https://www.schmalz.com/10.01.19.00062>



SAXM 115 ED-85 G3/8-AG

Part no.: 10.01.19.00062

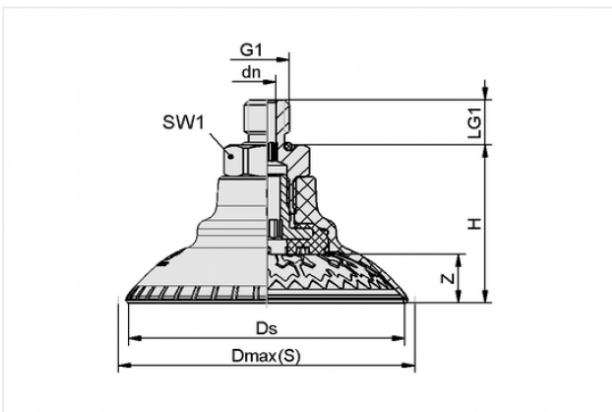
Homepage > Vacuum Technology for Automation > Vacuum Components > Vacuum Suction Cups > Suction Cups for Handling Sheet Metal > Bell-Shaped Suction Cups SAXM > SAXM 115 ED-85 G3/8-AG

Bell suction cup (round) for best adaptation to strongly curved surfaces



Size: 115
Suction cup material: Elastodur
Material hardness: 85 °Sh
Vacuum connection: G3/8-M
Nipple material: Aluminium

Design Data



| Attribute | Value |
|-----------|-------|
|-----------|-------|

| | |
|----|--------|
| dn | 6.1 mm |
|----|--------|

| | |
|---------|----------|
| Dmax(S) | 129.4 mm |
|---------|----------|

| | |
|----|----------|
| Ds | 115.2 mm |
|----|----------|

| | |
|----|---------|
| G1 | G3/8"-M |
|----|---------|

| | |
|---|---------|
| H | 50.1 mm |
|---|---------|

| | |
|-----|-------|
| LG1 | 10 mm |
|-----|-------|

| | |
|-----|-------|
| SW1 | 22 mm |
|-----|-------|

| | |
|---|-------|
| Z | 20 mm |
|---|-------|

Technical Data

Contact to Schmalz

J. Schmalz GmbH | Johannes-Schmalz-Straße, 72293 Glatten, Deutschland | +49 7443 2403-102 | customercenter@schmalz.de

| Attribute | Value |
|---------------------------------|-----------------------|
| Suction force | 549 N |
| Lateral force | 320 N |
| Lateral force (oily surface) | 584 N |
| Volume | 141.5 cm ³ |
| Curve radius (min) (convex) | 50 mm |
| Internal hose diameter (recom.) | 6 mm |
| Size | 115 |
| Connection | G3/8"-M |
| Number of folds | 0 |
| Suction cup material | Elastodur |
| Material hardness | 85 °Sh |
| Weight | 94.4 g |
| Product family | SAXM |

Note:

- Suction force: The specified suction forces are theoretical values at a vacuum of -0.6 bar and with a smooth, dry workpiece surface - they do not include a safety factor
- Lateral force: The specified lateral forces are values measured at a vacuum of -0.6 bar with a dry or oily, smooth, flat workpiece surface. Depending on the workpiece surface and its quality, the actual values may deviate from these values
- Hose diameter: The recommended hose diameter refers to a hose length of approx. 2 m

Spare Parts



SC-A 065 G3/8-AG L

Part no. 10.01.06.02810

Schmalz-Connector upper part

Connection geometry: 065

Thread G1: G3/8-M

Fitting length: 8 mm

Construction: Self Locking



SAXM 115 ED-85 SC065

Part no. 10.01.19.00010

High-Speed bell shaped suction cup (round) very dynamic handling of smooth and oily workpieces

Size: 115

Suction cup material: Elastodur

Material hardness: 85 °Sh



SC-S 065 FDC-L

Part no. 10.01.06.02805

Schmalz-Connector lower part

Size: 065

Construction:

Frict elem with Self lock