

Bell suction cup (round)

<https://www.schmalz.com/10.01.19.00010>



SAXM 115 ED-85 SC065

Part no.: 10.01.19.00010

Homepage > Vacuum Technology for Automation > Vacuum Components > Vacuum Suction Cups > Suction Cups for Handling Sheet Metal >

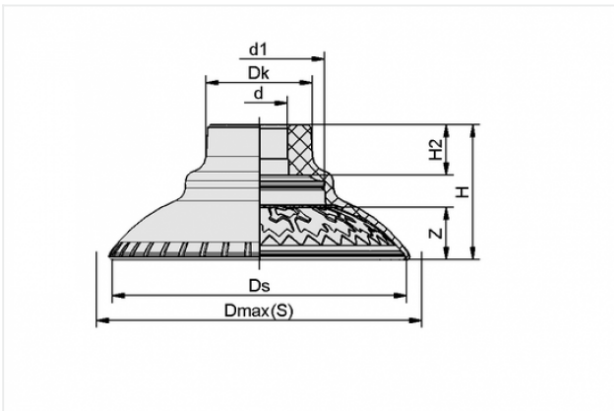
SAXM 115 ED-85 SC065

High-Speed bell shaped suction cup (round) very dynamic handling of smooth and oily workpieces



Size: 115
Suction cup material: Elastodur
Material hardness: 85 °Sh

Design Data



Attribute	Value
-----------	-------

d	14 mm
---	-------

d1	39.6 mm
----	---------

Dk	28.9 mm
----	---------

Dmax(S)	129.4 mm
---------	----------

Ds	115.2 mm
----	----------

H	42.3 mm
---	---------

H2	14.3 mm
----	---------

Z	20 mm
---	-------

Technical Data

Contact to Schmalz

J. Schmalz GmbH | Johannes-Schmalz-Straße, 72293 Glatten, Deutschland | +49 7443 2403-102 | customercenter@schmalz.de

Attribute	Value
Suction force	549 N
Lateral force	320 N
Lateral force (oily surface)	584 N
Volume	150.051 cm ³
Curve radius (min) (convex)	50 mm
Internal hose diameter (recom.)	6 mm
Size	115
Nipple	SC 065
Number of folds	0
Suction cup material	Elastodur
Material hardness	85 °Sh
Weight	52.7 g
Product family	SAXM

Accessories



SC-A 065 G1/4-AG L

Part no. 10.01.06.02824

Schmalz-Connector upper part

Connection geometry: 065

Thread G1: G1/4-M

Fitting length: 8 mm

Construction: Self Locking



SC-A 065 G1/4-IG L

Part no. 10.01.06.02774

Schmalz-Connector upper part

Connection geometry: 065

Thread G1: G1/4-F

Fitting length: 18 mm

Construction: Self Locking



SC-A 065 G3/8-AG L

Part no. 10.01.06.02810

Schmalz-Connector upper part

Connection geometry: 065

Thread G1: G3/8-M

Fitting length: 8 mm

Construction: Self Locking



SC-A 065 G3/8-IG L

Part no. 10.01.06.02648

Schmalz-Connector upper part

Connection geometry: 065

Thread G1: G3/8-F

Fitting length: 18 mm

Construction: Self Locking



SC-A 065 M10-AG L

Part no. 10.01.06.02825

Schmalz-Connector upper part

Connection geometry: 065

Thread G1: M10-M

Fitting length: 8 mm

Construction: Self Locking



SC-A 065 M14x1.5-AG L

Part no. 10.01.06.02826

Schmalz-Connector upper part

Connection geometry: 065

Thread G1: M14x1.5-M

Fitting length: 8 mm

Construction: Self Locking



SC-A 065 RA L

Part no. 10.01.06.02817

Schmalz-Connector upper part

Connection geometry: 065

Vacuum connection:

Rectangular adapter

Fitting length: 9.5 mm

Construction: Self Locking



SC-S 065 FDC-L

Part no. 10.01.06.02805

Schmalz-Connector lower part

Size: 065

Construction:

Frict elem with Self lock