

## SC-A 065 NPT3/8-IG L

Part no.: 10.01.06.02943

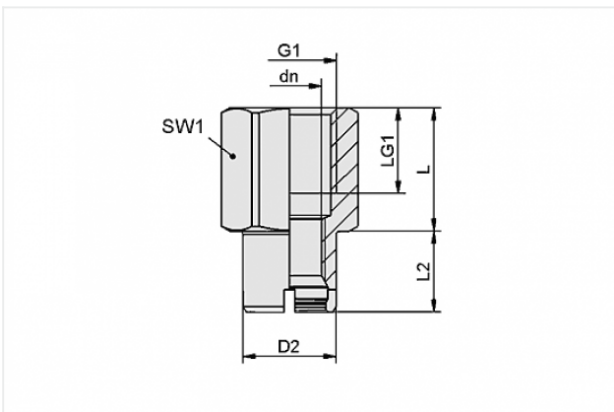
Homepage > Vacuum Technology for Automation > Vacuum Components > Vacuum Suction Cups > Suction Cups for Handling Sheet Metal > SC-A 065 NPT3/8-IG L

### Schmalz-Connector upper part



Connection geometry: 065  
Thread G1: NPT3/8-F  
Fitting length: 18 mm  
Construction: Self Locking

### Design Data



Attribute	Value
dn	8.9 mm
D2	15 mm
G1	NPT3/8-F
L	18 mm
L2	15.1 mm
LG1	14 mm
SW1	22 mm

### Technical Data

Attribute	Value
Connection geometry	065

### Contact to Schmalz



Attribute	Value
Material	Brass
Weight	16.5 g

---

---