

Bell suction cup (round)

<https://www.schmalz.com/10.01.19.00041>



SAXM 100 ED-85 M10-AG

Part no.: 10.01.19.00041

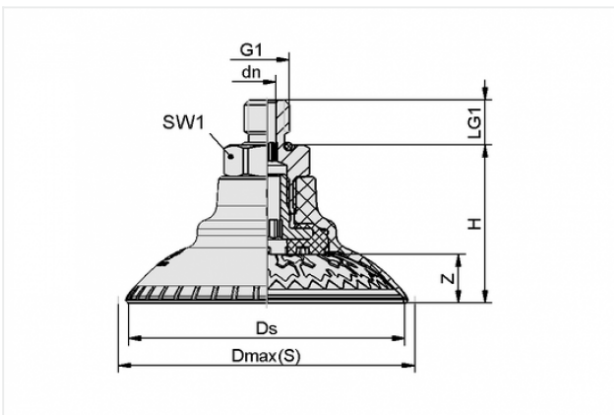
Homepage > Vacuum Technology for Automation > Vacuum Components > Vacuum Suction Cups > Suction Cups for Handling Sheet Metal > Bell-Shaped Suction Cups SAXM > SAXM 100 ED-85 M10-AG

Bell suction cup (round) for best adaptation to strongly curved surfaces



Size: 100
Suction cup material: Elastodur
Material hardness: 85 °Sh
Vacuum connection: M10-M
Nipple material: Aluminium

Design Data



Attribute	Value
-----------	-------

dn	4.1 mm
Dmax(S)	111.1 mm
Ds	99.7 mm
G1	M10-M
H	47.2 mm
LG1	10 mm
SW1	22 mm
Z	17.1 mm

Technical Data

Contact to Schmalz

J. Schmalz GmbH | Johannes-Schmalz-Straße, 72293 Glatten, Deutschland | +49 7443 2403-102 | customercenter@schmalz.de

Attribute	Value
Suction force	412 N
Lateral force	230 N
Lateral force (oily surface)	414 N
Volume	95.5 cm ³
Curve radius (min) (convex)	40 mm
Internal hose diameter (recom.)	6 mm
Size	100
Connection	M10-M
Number of folds	0
Suction cup material	Elastodur
Material hardness	85 °Sh
Weight	75.5 g
Product family	SAXM

Note:

- Suction force: The specified suction forces are theoretical values at a vacuum of -0.6 bar and with a smooth, dry workpiece surface - they do not include a safety factor
- Lateral force: The specified lateral forces are values measured at a vacuum of -0.6 bar with a dry or oily, smooth, flat workpiece surface. Depending on the workpiece surface and its quality, the actual values may deviate from these values
- Hose diameter: The recommended hose diameter refers to a hose length of approx. 2 m

Spare Parts



SC-A 065 M10-AG L

Part no. 10.01.06.02825

Schmalz-Connector upper part

Connection geometry: 065

Thread G1: M10-M

Fitting length: 8 mm

Construction: Self Locking



SAXM 100 ED-85 SC065

Part no. 10.01.19.00009

High-Speed bell shaped suction cup (round) very dynamic handling of smooth and oily workpieces

Size: 100

Suction cup material: Elastodur

Material hardness: 85 °Sh



SC-S 065 FDC-L

Part no. 10.01.06.02805

Schmalz-Connector lower part

Size: 065

Construction:

Frict elem with Self lock