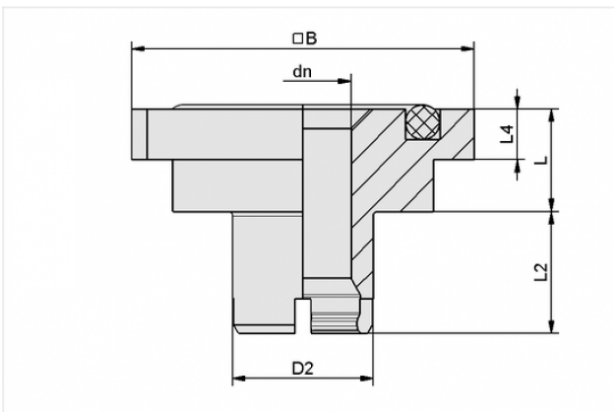


Schmalz-Connector upper part



Connection geometry: 065
 Vacuum connection:
 Rectangular adapter
 Fitting length: 9.5 mm
 Construction: Self Locking

Design Data



Attribute	Value
-----------	-------

B	31.8 mm
dn	8.9 mm
D2	15 mm
L	9.5 mm
L2	15.1 mm
L4	4.7 mm

Technical Data

Attribute	Value
Connection	Rectangular adapter
Connection geometry	065



Attribute	Value
Weight	20.3 g
