

Schmalz-Connector-Adapter

<https://www.schmalz.com/10.01.06.02826>



SC-A 065 M14x1.5-AG L

Part no.: 10.01.06.02826

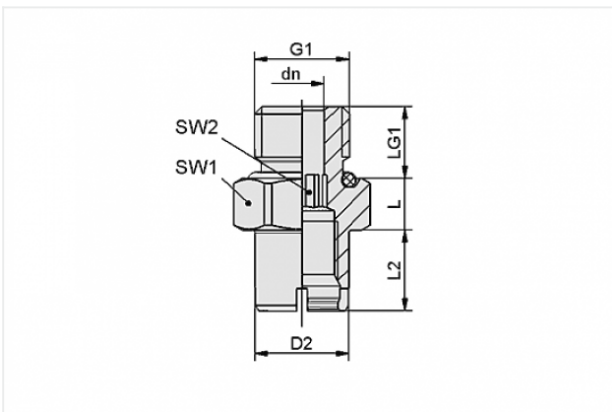
Homepage > Vacuum Technology for Automation > Vacuum Components > Vacuum Suction Cups > Suction Cups for Handling Sheet Metal > SC-A 065 M14x1.5-AG L

Schmalz-Connector upper part



Connection geometry: 065
Thread G1: M14x1.5-M
Fitting length: 8 mm
Construction: Self Locking

Design Data



Attribute	Value
-----------	-------

dn	6.1 mm
----	--------

D2	15 mm
----	-------

G1	M14x1.5-M
----	-----------

L	8 mm
---	------

L2	15.1 mm
----	---------

LG1	10 mm
-----	-------

SW1	22 mm
-----	-------

SW2	6 mm
-----	------

Technical Data

Contact to Schmalz

J. Schmalz GmbH | Johannes-Schmalz-Straße, 72293 Glatten, Deutschland | +49 7443 2403-102 | customercenter@schmalz.de



Attribute	Value
Connection geometry	065
Material	Aluminium
Weight	14.8 g