

## SC-A 065 M10-AG L

Part no.: 10.01.06.02825

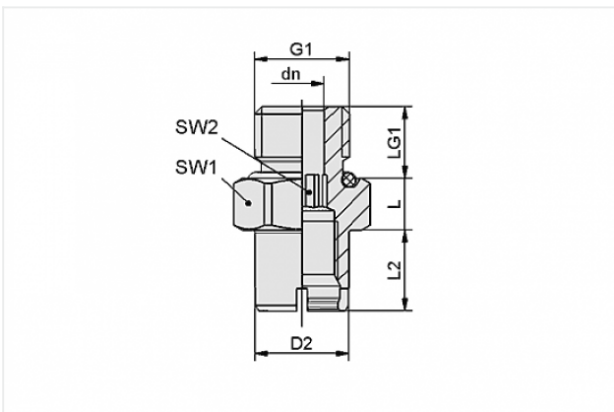
Homepage > Vacuum Technology for Automation > Vacuum Components > Vacuum Suction Cups > Suction Cups for Handling Sheet Metal > SC-A 065 M10-AG L

### Schmalz-Connector upper part



Connection geometry: 065  
Thread G1: M10-M  
Fitting length: 8 mm  
Construction: Self Locking

### Design Data



Attribute	Value
dn	4.1 mm
D2	15 mm
G1	M10-M
L	8 mm
L2	15.1 mm
LG1	10 mm
SW1	22 mm
SW2	4 mm

### Technical Data

#### Contact to Schmalz

J. Schmalz GmbH | Johannes-Schmalz-Straße, 72293 Glatten, Deutschland | +49 7443 2403-102 | [customercenter@schmalz.de](mailto:customercenter@schmalz.de)



Attribute	Value
Connection geometry	065
Material	Aluminium
Weight	14 g

---

---