

SC-A 065 G3/8-IG L

Part no.: 10.01.06.02648

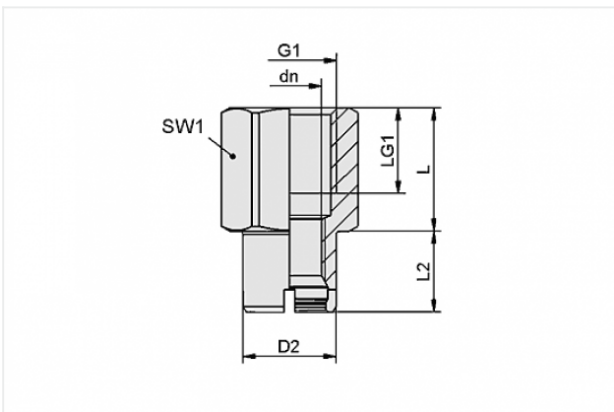
Homepage > Vacuum Technology for Automation > Vacuum Components > Vacuum Suction Cups > Suction Cups for Handling Sheet Metal > SC-A 065 G3/8-IG L

Schmalz-Connector upper part



Connection geometry: 065
Thread G1: G3/8-F
Fitting length: 18 mm
Construction: Self Locking

Design Data



Attribute	Value
dn	8.9 mm
D2	15 mm
G1	G3/8"-F
L	18 mm
L2	15.1 mm
LG1	12 mm
SW1	22 mm

Technical Data

Attribute	Value
Connection geometry	065

Contact to Schmalz



Attribute	Value
Material	Aluminium
Weight	16 g
