

SC-A 065 G1/4-IG L

Part no.: 10.01.06.02774

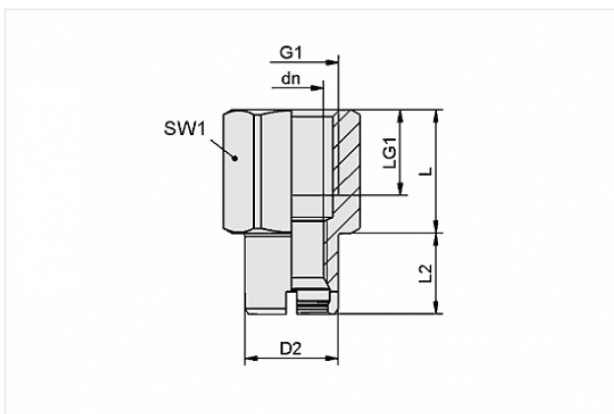
Homepage > Vacuum Technology for Automation > Vacuum Components > Vacuum Suction Cups > Suction Cups for Handling Sheet Metal > SC-A 065 G1/4-IG L

Schmalz-Connector upper part



Connection geometry: 065
Thread G1: G1/4-F
Fitting length: 18 mm
Construction: Self Locking

Design Data



Attribute	Value
-----------	-------

dn	8.9 mm
----	--------

D2	15 mm
----	-------

G1	G1/4"-F
----	---------

L	18 mm
---	-------

L2	15.1 mm
----	---------

LG1	12 mm
-----	-------

SW1	22 mm
-----	-------

Technical Data

Attribute	Value
Connection geometry	065

Contact to Schmalz

J. Schmalz GmbH | Johannes-Schmalz-Straße, 72293 Glatten, Deutschland | +49 7443 2403-102 | customercenter@schmalz.de



Attribute	Value
Material	Aluminium
Weight	19.3 g
