

Bell suction cup (round)

<https://www.schmalz.com/10.01.19.00009>



SAXM 100 ED-85 SC065

Part no.: 10.01.19.00009

Homepage > Vacuum Technology for Automation > Vacuum Components > Vacuum Suction Cups > Suction Cups for Handling Sheet Metal >

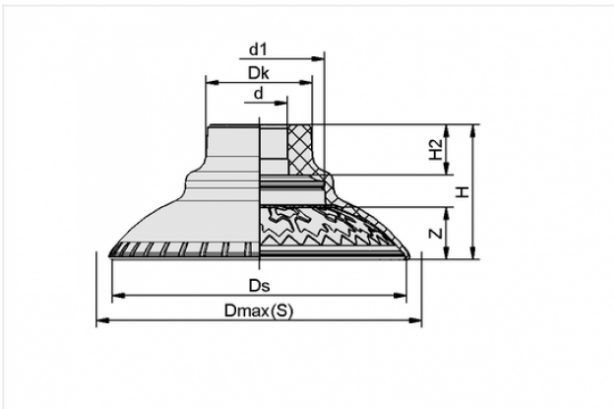
SAXM 100 ED-85 SC065

High-Speed bell shaped suction cup (round) very dynamic handling of smooth and oily workpieces



Size: 100
Suction cup material: Elastodur
Material hardness: 85 °Sh

Design Data



Attribute	Value
-----------	-------

d	14 mm
d1	39.6 mm
Dk	25.6 mm
Dmax(S)	111.1 mm
Ds	99.7 mm
H	39.4 mm
H2	14.3 mm
Z	17.1 mm

Technical Data

Contact to Schmalz

J. Schmalz GmbH | Johannes-Schmalz-Straße, 72293 Glatten, Deutschland | +49 7443 2403-102 | customercenter@schmalz.de

Attribute	Value
Suction force	412 N
Lateral force	230 N
Lateral force (oily surface)	414 N
Volume	104.094 cm ³
Curve radius (min) (convex)	40 mm
Internal hose diameter (recom.)	6 mm
Size	100
Nipple	SC 065
Number of folds	0
Suction cup material	Elastodur
Material hardness	85 °Sh
Weight	33.8 g
Product family	SAXM

Accessories



SC-A 065 G1/4-AG L

Part no. 10.01.06.02824

Schmalz-Connector upper part

Connection geometry: 065

Thread G1: G1/4-M

Fitting length: 8 mm

Construction: Self Locking



SC-A 065 G1/4-IG L

Part no. 10.01.06.02774

Schmalz-Connector upper part

Connection geometry: 065

Thread G1: G1/4-F

Fitting length: 18 mm

Construction: Self Locking



SC-A 065 G3/8-AG L

Part no. 10.01.06.02810

Schmalz-Connector upper part

Connection geometry: 065

Thread G1: G3/8-M

Fitting length: 8 mm

Construction: Self Locking



SC-A 065 G3/8-IG L

Part no. 10.01.06.02648

Schmalz-Connector upper part

Connection geometry: 065

Thread G1: G3/8-F

Fitting length: 18 mm

Construction: Self Locking



SC-A 065 M10-AG L

Part no. 10.01.06.02825

Schmalz-Connector upper part

Connection geometry: 065

Thread G1: M10-M

Fitting length: 8 mm

Construction: Self Locking



SC-A 065 M14x1.5-AG L

Part no. 10.01.06.02826

Schmalz-Connector upper part

Connection geometry: 065

Thread G1: M14x1.5-M

Fitting length: 8 mm

Construction: Self Locking



SC-A 065 RA L

Part no. 10.01.06.02817

Schmalz-Connector upper part

Connection geometry: 065

Vacuum connection:

Rectangular adapter

Fitting length: 9.5 mm

Construction: Self Locking



SC-S 065 FDC-L

Part no. 10.01.06.02805

Schmalz-Connector lower part

Size: 065

Construction:

Frict elem with Self lock