

## SC-A 065 G1/4-AG L

Part no.: 10.01.06.02824

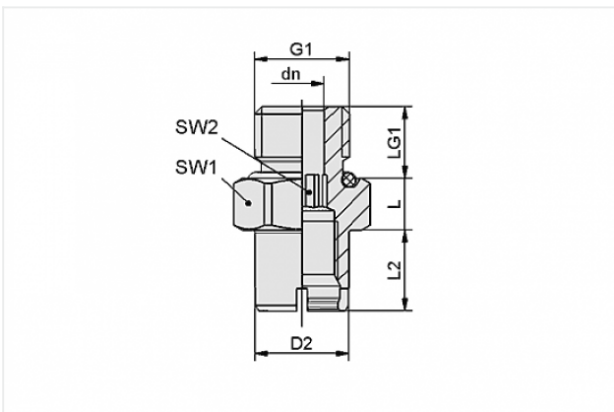
Homepage > Vacuum Technology for Automation > Vacuum Components > Vacuum Suction Cups > Suction Cups for Handling Sheet Metal > SC-A 065 G1/4-AG L

### Schmalz-Connector upper part



Connection geometry: 065  
Thread G1: G1/4-M  
Fitting length: 8 mm  
Construction: Self Locking

### Design Data



Attribute	Value
-----------	-------

dn	6.1 mm
----	--------

D2	15 mm
----	-------

G1	G1/4"-M
----	---------

L	8 mm
---	------

L2	15.1 mm
----	---------

LG1	10 mm
-----	-------

SW1	22 mm
-----	-------

SW2	6 mm
-----	------

### Technical Data

#### Contact to Schmalz



Attribute	Value
Connection geometry	065
Material	Aluminium
Weight	14.6 g