

# Bell suction cup (round)

<https://www.schmalz.com/10.01.19.00034>



## SAXM 80 ED-85 G1/4-IG

Part no.: 10.01.19.00034

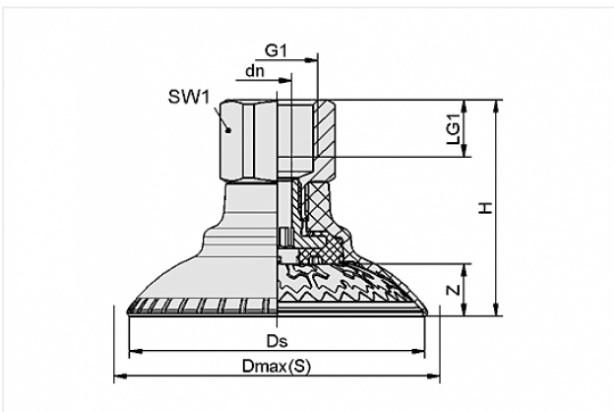
Homepage > Vacuum Technology for Automation > Vacuum Components > Vacuum Suction Cups > Suction Cups for Handling Sheet Metal > Bell-Shaped Suction Cups SAXM > SAXM 80 ED-85 G1/4-IG

### Bell suction cup (round) for best adaptation to strongly curved surfaces



Size: 80  
Suction cup material: Elastodur  
Material hardness: 85 °Sh  
Vacuum connection: G1/4-F  
Nipple material: Aluminium

### Design Data



Attribute	Value
-----------	-------

dn	6.1 mm
Dmax(S)	92.2 mm
Ds	81 mm
G1	G1/4"-F
H	48.3 mm
LG1	12 mm
SW1	17 mm
Z	13.9 mm

### Technical Data

#### Contact to Schmalz

J. Schmalz GmbH | Johannes-Schmalz-Straße, 72293 Glatten, Deutschland | +49 7443 2403-102 | [customercenter@schmalz.de](mailto:customercenter@schmalz.de)

Attribute	Value
Suction force	270 N
Lateral force	150 N
Lateral force (oily surface)	269 N
Volume	51.9 cm <sup>3</sup>
Curve radius (min) (convex)	32.5 mm
Internal hose diameter (recom.)	6 mm
Size	80
Connection	G1/4"-F
Number of folds	0
Suction cup material	Elastodur
Material hardness	85 °Sh
Weight	40.2 g
Product family	SAXM

**Note:**

- Suction force: The specified suction forces are theoretical values at a vacuum of -0.6 bar and with a smooth, dry workpiece surface - they do not include a safety factor
- Lateral force: The specified lateral forces are values measured at a vacuum of -0.6 bar with a dry or oily, smooth, flat workpiece surface. Depending on the workpiece surface and its quality, the actual values may deviate from these values
- Hose diameter: The recommended hose diameter refers to a hose length of approx. 2 m

---

**Spare Parts**



**SC-A 055 G1/4-IG L**

Part no. 10.01.06.02742

Schmalz-Connector upper part

Connection geometry: 055

Thread G1: G1/4-F

Fitting length: 17.2 mm

Construction: Self Locking



**SAXM 80 ED-85 SC055**

Part no. 10.01.19.00008

High-Speed bell shaped suction cup (round) very dynamic handling of smooth and oily workpieces

Size: 80

Suction cup material: Elastodur

Material hardness: 85 °Sh



**SC-S 055 FDC-L**

Part no. 10.01.06.02804

Schmalz-Connector lower part

Size: 055

Construction:

Frict elem with Self lock