

# Bell suction cup (round)

<https://www.schmalz.com/10.01.19.00007>



## SAXM 60 ED-85 SC055

Part no.: 10.01.19.00007

Homepage > Vacuum Technology for Automation > Vacuum Components > Vacuum Suction Cups > Suction Cups for Handling Sheet Metal >

SAXM 60 ED-85 SC055

## High-Speed bell shaped suction cup (round) very dynamic handling of smooth and oily workpieces

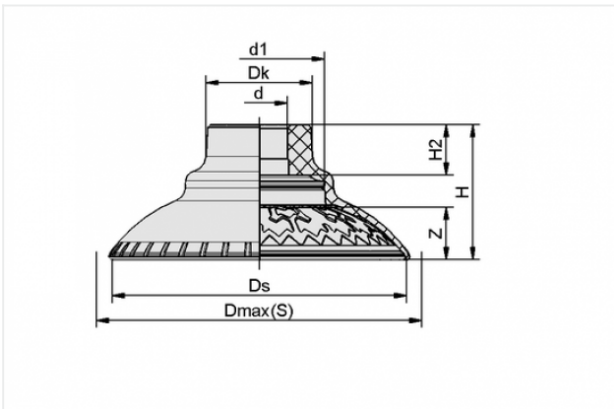


Size: 60

Suction cup material: Elastodur

Material hardness: 85 °Sh

### Design Data



Attribute	Value
-----------	-------

d	11.8 mm
---	---------

d1	27.6 mm
----	---------

Dk	22.2 mm
----	---------

Dmax(S)	69.7 mm
---------	---------

Ds	61.5 mm
----	---------

H	28.3 mm
---	---------

H2	10.5 mm
----	---------

Z	10.9 mm
---	---------

### Technical Data

#### Contact to Schmalz

J. Schmalz GmbH | Johannes-Schmalz-Straße, 72293 Glatten, Deutschland | +49 7443 2403-102 | [customercenter@schmalz.de](mailto:customercenter@schmalz.de)

Attribute	Value
Suction force	154 N
Lateral force	85 N
Lateral force (oily surface)	155 N
Volume	27.676 cm <sup>3</sup>
Curve radius (min) (convex)	30 mm
Internal hose diameter (recom.)	6 mm
Size	60
Nipple	SC 055
Number of folds	0
Suction cup material	Elastodur
Material hardness	85 °Sh
Weight	11.1 g
Product family	SAXM

## Accessories



### SC-A 055 G1/4-AG L

Part no. 10.01.06.02821

Schmalz-Connector upper part

Connection geometry: 055

Thread G1: G1/4-M

Fitting length: 7.2 mm

Construction: Self Locking



**SC-A 055 G1/4-IG L**

Part no. 10.01.06.02742

Schmalz-Connector upper part

Connection geometry: 055

Thread G1: G1/4-F

Fitting length: 17.2 mm

Construction: Self Locking



**SC-A 055 G3/8-AG L**

Part no. 10.01.06.02809

Schmalz-Connector upper part

Connection geometry: 055

Thread G1: G3/8-M

Fitting length: 7.7 mm

Construction: Self Locking



**SC-A 055 G3/8-IG L**

Part no. 10.01.06.02743

Schmalz-Connector upper part

Connection geometry: 055

Thread G1: G3/8-F

Fitting length: 17.2 mm

Construction: Self Locking



**SC-A 055 M10-AG L**

Part no. 10.01.06.02822

Schmalz-Connector upper part

Connection geometry: 055

Thread G1: M10-M

Fitting length: 7.2 mm

Construction: Self Locking



**SC-A 055 M14x1.5-AG L**

Part no. 10.01.06.02823

Schmalz-Connector upper part

Connection geometry: 055

Thread G1: M14x1.5-M

Fitting length: 7.2 mm

Construction: Self Locking



**SC-A 055 RA L**

Part no. 10.01.06.02815

Schmalz-Connector upper part

Connection geometry: 055

Vacuum connection:

Rectangular adapter

Fitting length: 9.5 mm

Construction: Self Locking



**SC-S 055 FDC-L**

Part no. 10.01.06.02804

Schmalz-Connector lower part

Size: 055

Construction:

Frict elem with Self lock