

## SC-A 055 NPT3/8-IG L

Part no.: 10.01.06.02941

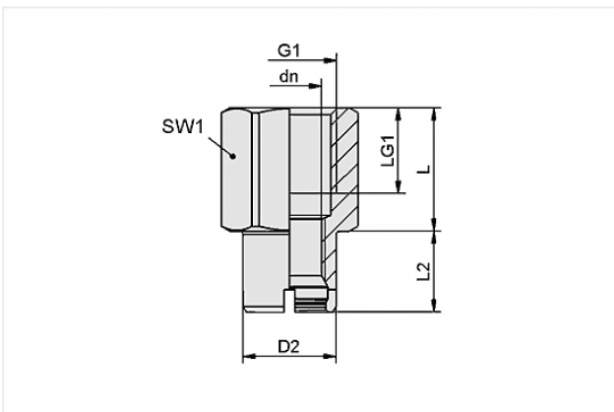
Homepage > Vacuum Technology for Automation > Vacuum Components > Vacuum Suction Cups > Suction Cups for Handling Sheet Metal > SC-A 055 NPT3/8-IG L

### Schmalz-Connector upper part



Connection geometry: 055  
Thread G1: NPT3/8-F  
Fitting length: 17.2 mm  
Construction: Self Locking

### Design Data



Attribute	Value
dn	8.9 mm
D2	13 mm
G1	NPT3/8-F
L	17.2 mm
L2	11.3 mm
LG1	14 mm
SW1	22 mm

### Technical Data

Attribute	Value
Connection geometry	055

### Contact to Schmalz



Attribute	Value
Material	Brass
Weight	13.3 g

---

---