

# Bell suction cup (round)

<https://www.schmalz.com/10.01.19.00026>



## SAXM 50 ED-85 M10-AG

Part no.: 10.01.19.00026

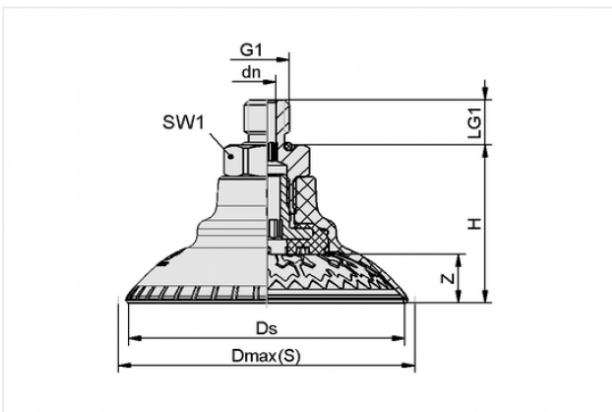
Homepage > Vacuum Technology for Automation > Vacuum Components > Vacuum Suction Cups > Suction Cups for Handling Sheet Metal > Bell-Shaped Suction Cups SAXM > SAXM 50 ED-85 M10-AG

### Bell suction cup (round) for best adaptation to strongly curved surfaces



Size: 50  
Suction cup material: Elastodur  
Material hardness: 85 °Sh  
Vacuum connection: M10-M  
Nipple material: Aluminium

### Design Data



| Attribute | Value |
|-----------|-------|
|-----------|-------|

|    |        |
|----|--------|
| dn | 4.1 mm |
|----|--------|

|         |         |
|---------|---------|
| Dmax(S) | 58.4 mm |
|---------|---------|

|    |         |
|----|---------|
| Ds | 51.5 mm |
|----|---------|

|    |       |
|----|-------|
| G1 | M10-M |
|----|-------|

|   |         |
|---|---------|
| H | 32.8 mm |
|---|---------|

|     |       |
|-----|-------|
| LG1 | 10 mm |
|-----|-------|

|     |       |
|-----|-------|
| SW1 | 17 mm |
|-----|-------|

|   |        |
|---|--------|
| Z | 8.4 mm |
|---|--------|

### Technical Data

#### Contact to Schmalz

J. Schmalz GmbH | Johannes-Schmalz-Straße, 72293 Glatten, Deutschland | +49 7443 2403-102 | [customercenter@schmalz.de](mailto:customercenter@schmalz.de)

| Attribute                       | Value                |
|---------------------------------|----------------------|
| Suction force                   | 109 N                |
| Lateral force                   | 58 N                 |
| Lateral force (oily surface)    | 110 N                |
| Volume                          | 14.4 cm <sup>3</sup> |
| Curve radius (min) (convex)     | 25 mm                |
| Internal hose diameter (recom.) | 6 mm                 |
| Size                            | 50                   |
| Connection                      | M10-M                |
| Number of folds                 | 0                    |
| Suction cup material            | Elastodur            |
| Material hardness               | 85 °Sh               |
| Weight                          | 27 g                 |
| Product family                  | SAXM                 |

**Note:**

- Suction force: The specified suction forces are theoretical values at a vacuum of -0.6 bar and with a smooth, dry workpiece surface - they do not include a safety factor
- Lateral force: The specified lateral forces are values measured at a vacuum of -0.6 bar with a dry or oily, smooth, flat workpiece surface. Depending on the workpiece surface and its quality, the actual values may deviate from these values
- Hose diameter: The recommended hose diameter refers to a hose length of approx. 2 m

---

**Spare Parts**



**SC-A 055 M10-AG L**

Part no. 10.01.06.02822

Schmalz-Connector upper part

Connection geometry: 055

Thread G1: M10-M

Fitting length: 7.2 mm

Construction: Self Locking



**SAXM 50 ED-85 SC055**

Part no. 10.01.19.00006

High-Speed bell shaped suction cup (round) very dynamic handling of smooth and oily workpieces

Size: 50

Suction cup material: Elastodur

Material hardness: 85 °Sh



**SC-S 055 FDC-L**

Part no. 10.01.06.02804

Schmalz-Connector lower part

Size: 055

Construction:

Frict elem with Self lock