

## SC-A 055 RA L

Part no.: 10.01.06.02815

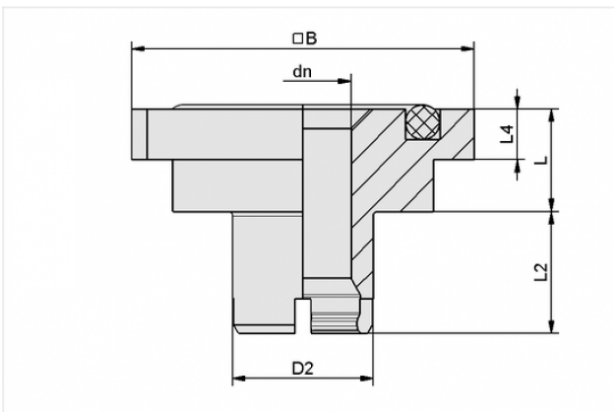
Homepage > Vacuum Technology for Automation > Vacuum Components > Vacuum Suction Cups > Suction Cups for Handling Sheet Metal > SC-A 055 RA L

### Schmalz-Connector upper part



Connection geometry: 055  
Vacuum connection:  
Rectangular adapter  
Fitting length: 9.5 mm  
Construction: Self Locking

### Design Data



Attribute	Value
-----------	-------

B	31.8 mm
---	---------

dn	8.9 mm
----	--------

D2	13 mm
----	-------

L	9.5 mm
---	--------

L2	11.3 mm
----	---------

L4	4.7 mm
----	--------

### Technical Data

Attribute	Value
Connection	Rectangular adapter
Connection geometry	055

### Contact to Schmalz

J. Schmalz GmbH | Johannes-Schmalz-Straße, 72293 Glatten, Deutschland | +49 7443 2403-102 | [customercenter@schmalz.de](mailto:customercenter@schmalz.de)



Attribute	Value
Material	Aluminium
Weight	18 g

---

---