

## SC-A 055 M10-AG L

Part no.: 10.01.06.02822

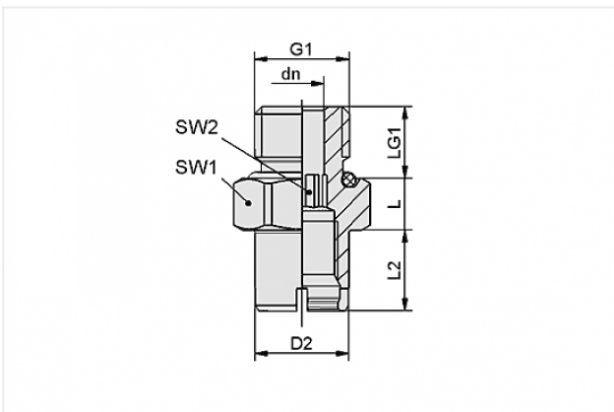
Homepage > Vacuum Technology for Automation > Vacuum Components > Vacuum Suction Cups > Suction Cups for Handling Sheet Metal > SC-A 055 M10-AG L

### Schmalz-Connector upper part



Connection geometry: 055  
Thread G1: M10-M  
Fitting length: 7.2 mm  
Construction: Self Locking

### Design Data



Attribute	Value
-----------	-------

dn	4.1 mm
----	--------

D2	13 mm
----	-------

G1	M10-M
----	-------

L	7.2 mm
---	--------

L2	11.3 mm
----	---------

LG1	10 mm
-----	-------

SW1	17 mm
-----	-------

SW2	4 mm
-----	------

### Technical Data

#### Contact to Schmalz



Attribute	Value
Connection geometry	055
Material	Aluminium
Weight	7 g

---

---