

## SC-A 055 G3/8-IG L

Part no.: 10.01.06.02743

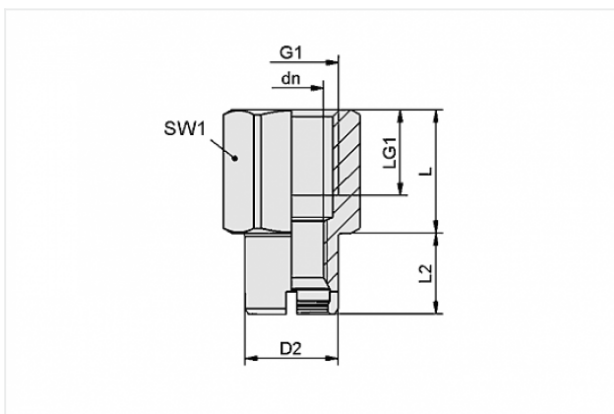
Homepage > Vacuum Technology for Automation > Vacuum Components > Vacuum Suction Cups > Suction Cups for Handling Sheet Metal > SC-A 055 G3/8-IG L

### Schmalz-Connector upper part



Connection geometry: 055  
Thread G1: G3/8-F  
Fitting length: 17.2 mm  
Construction: Self Locking

### Design Data



Attribute	Value
dn	8.9 mm
D2	13 mm
G1	G3/8"-F
L	17.2 mm
L2	11.3 mm
LG1	12 mm
SW1	22 mm

### Technical Data

Attribute	Value
Connection geometry	055

### Contact to Schmalz

J. Schmalz GmbH | Johannes-Schmalz-Straße, 72293 Glatten, Deutschland | +49 7443 2403-102 | [customercenter@schmalz.de](mailto:customercenter@schmalz.de)



Attribute	Value
Material	Aluminium
Weight	13.1 g

---

---