

SC-A 055 G1/4-IG L

Part no.: 10.01.06.02742

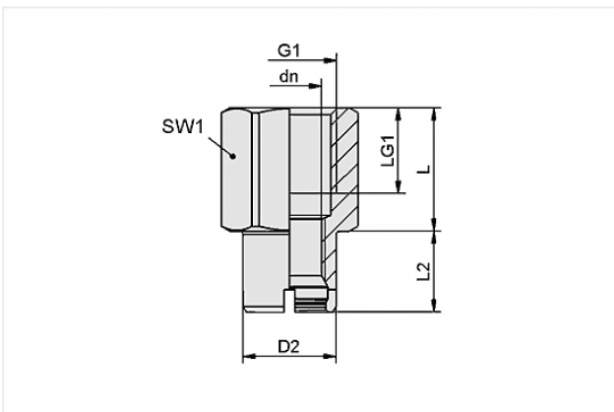
Homepage > Vacuum Technology for Automation > Vacuum Components > Vacuum Suction Cups > Suction Cups for Handling Sheet Metal > SC-A 055 G1/4-IG L

Schmalz-Connector upper part



Connection geometry: 055
Thread G1: G1/4-F
Fitting length: 17.2 mm
Construction: Self Locking

Design Data



Attribute	Value
dn	8.9 mm
D2	13 mm
G1	G1/4"-F
L	17.2 mm
L2	11.3 mm
LG1	12 mm
SW1	17 mm

Technical Data

Attribute	Value
Connection geometry	055

Contact to Schmalz



Attribute	Value
Material	Aluminium
Weight	8.3 g
