

Bell suction cup (round)

<https://www.schmalz.com/10.01.19.00006>



SAXM 50 ED-85 SC055

Part no.: 10.01.19.00006

Homepage > Vacuum Technology for Automation > Vacuum Components > Vacuum Suction Cups > Suction Cups for Handling Sheet Metal >

SAXM 50 ED-85 SC055

High-Speed bell shaped suction cup (round) very dynamic handling of smooth and oily workpieces

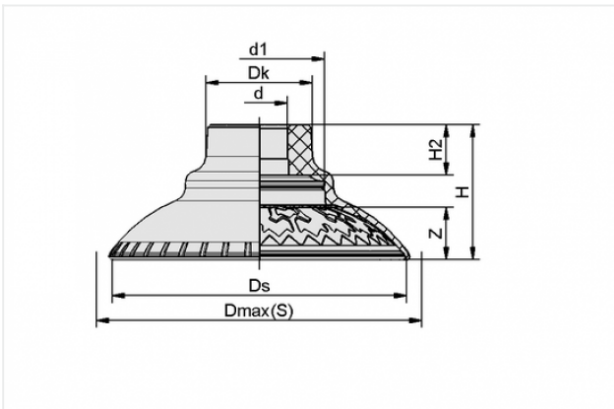


Size: 50

Suction cup material: Elastodur

Material hardness: 85 °Sh

Design Data



Attribute	Value
-----------	-------

d	11.8 mm
---	---------

d1	27.6 mm
----	---------

Dk	22.2 mm
----	---------

Dmax(S)	58.4 mm
---------	---------

Ds	51.5 mm
----	---------

H	25.8 mm
---	---------

H2	10.5 mm
----	---------

Z	8.4 mm
---	--------

Technical Data

Contact to Schmalz

J. Schmalz GmbH | Johannes-Schmalz-Straße, 72293 Glatten, Deutschland | +49 7443 2403-102 | customercenter@schmalz.de

Attribute	Value
Suction force	109 N
Lateral force	58 N
Lateral force (oily surface)	110 N
Volume	18.016 cm ³
Curve radius (min) (convex)	25 mm
Internal hose diameter (recom.)	6 mm
Size	50
Nipple	SC 055
Number of folds	0
Suction cup material	Elastodur
Material hardness	85 °Sh
Weight	8.1 g
Product family	SAXM

Accessories



SC-A 055 G1/4-AG L

Part no. 10.01.06.02821

Schmalz-Connector upper part

Connection geometry: 055

Thread G1: G1/4-M

Fitting length: 7.2 mm

Construction: Self Locking



SC-A 055 G1/4-IG L

Part no. 10.01.06.02742

Schmalz-Connector upper part

Connection geometry: 055

Thread G1: G1/4-F

Fitting length: 17.2 mm

Construction: Self Locking



SC-A 055 G3/8-AG L

Part no. 10.01.06.02809

Schmalz-Connector upper part

Connection geometry: 055

Thread G1: G3/8-M

Fitting length: 7.7 mm

Construction: Self Locking



SC-A 055 G3/8-IG L

Part no. 10.01.06.02743

Schmalz-Connector upper part

Connection geometry: 055

Thread G1: G3/8-F

Fitting length: 17.2 mm

Construction: Self Locking



SC-A 055 M10-AG L

Part no. 10.01.06.02822

Schmalz-Connector upper part

Connection geometry: 055

Thread G1: M10-M

Fitting length: 7.2 mm

Construction: Self Locking



SC-A 055 M14x1.5-AG L

Part no. 10.01.06.02823

Schmalz-Connector upper part

Connection geometry: 055

Thread G1: M14x1.5-M

Fitting length: 7.2 mm

Construction: Self Locking



SC-A 055 RA L

Part no. 10.01.06.02815

Schmalz-Connector upper part

Connection geometry: 055

Vacuum connection:

Rectangular adapter

Fitting length: 9.5 mm

Construction: Self Locking



SC-S 055 FDC-L

Part no. 10.01.06.02804

Schmalz-Connector lower part

Size: 055

Construction:

Frict elem with Self lock