

SC-A 055 G1/4-AG L

Part no.: 10.01.06.02821

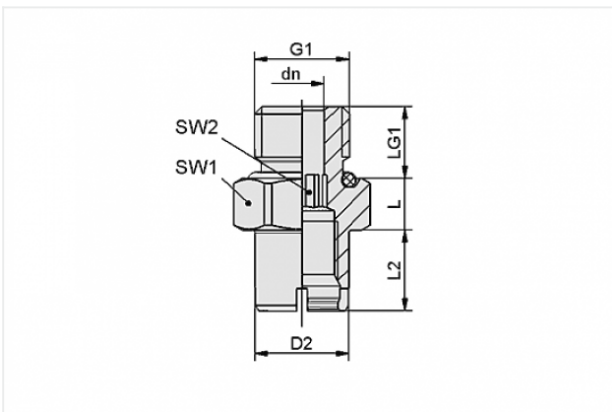
Homepage > Vacuum Technology for Automation > Vacuum Components > Vacuum Suction Cups > Suction Cups for Handling Sheet Metal > SC-A 055 G1/4-AG L

Schmalz-Connector upper part



Connection geometry: 055
Thread G1: G1/4-M
Fitting length: 7.2 mm
Construction: Self Locking

Design Data



Attribute	Value
-----------	-------

dn	6.1 mm
----	--------

D2	13 mm
----	-------

G1	G1/4"-M
----	---------

L	7.2 mm
---	--------

L2	11.3 mm
----	---------

LG1	10 mm
-----	-------

SW1	17 mm
-----	-------

SW2	6 mm
-----	------

Technical Data

Contact to Schmalz

J. Schmalz GmbH | Johannes-Schmalz-Straße, 72293 Glatten, Deutschland | +49 7443 2403-102 | customercenter@schmalz.de



Attribute	Value
Connection geometry	055
Material	Aluminium
Weight	7.8 g