

Bell suction cup (round)

<https://www.schmalz.com/10.01.19.00004>



SAXM 30 ED-85 SC045

Part no.: 10.01.19.00004

Homepage > Vacuum Technology for Automation > Vacuum Components > Vacuum Suction Cups > Suction Cups for Handling Sheet Metal >

SAXM 30 ED-85 SC045

High-Speed bell shaped suction cup (round) very dynamic handling of smooth and oily workpieces

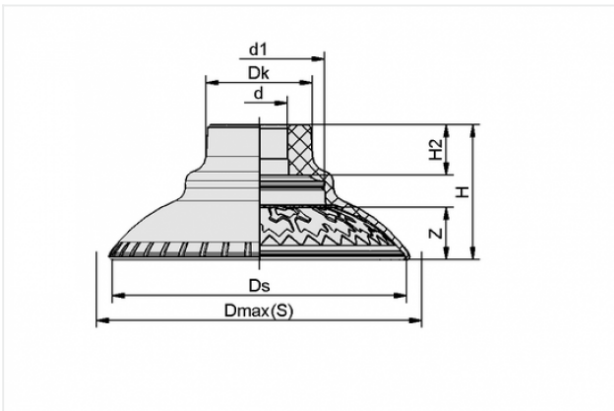


Size: 30

Suction cup material: Elastodur

Material hardness: 85 °Sh

Design Data



Attribute	Value
-----------	-------

d	9.7 mm
---	--------

d1	15.6 mm
----	---------

Dk	19.2 mm
----	---------

Dmax(S)	35.2 mm
---------	---------

Ds	31.6 mm
----	---------

H	18 mm
---	-------

H2	7 mm
----	------

Z	4.3 mm
---	--------

Technical Data

Contact to Schmalz

J. Schmalz GmbH | Johannes-Schmalz-Straße, 72293 Glatten, Deutschland | +49 7443 2403-102 | customercenter@schmalz.de

Attribute	Value
Suction force	39 N
Lateral force	32 N
Lateral force (oily surface)	41 N
Volume	4.549 cm ³
Curve radius (min) (convex)	18 mm
Internal hose diameter (recom.)	5 mm
Size	30
Nipple	SC 045
Number of folds	0
Suction cup material	Elastodur
Material hardness	85 °Sh
Weight	3.2 g
Product family	SAXM

Accessories



SC-A 045 G1/4-AG L

Part no. 10.01.06.02818

Schmalz-Connector upper part

Connection geometry: 045

Thread G1: G1/4-M

Fitting length: 7.2 mm

Construction: Self Locking



SC-A 045 G1/4-IG L

Part no. 10.01.06.02736

Schmalz-Connector upper part

Connection geometry: 045

Thread G1: G1/4-F

Fitting length: 17.2 mm

Construction: Self Locking



SC-A 045 G3/8-AG L

Part no. 10.01.06.02807

Schmalz-Connector upper part

Connection geometry: 045

Thread G1: G3/8-M

Fitting length: 7.7 mm

Construction: Self Locking



SC-A 045 G3/8-IG L

Part no. 10.01.06.02737

Schmalz-Connector upper part

Connection geometry: 045

Thread G1: G3/8-F

Fitting length: 17.2 mm

Construction: Self Locking



SC-A 045 M10-AG L

Part no. 10.01.06.02819

Schmalz-Connector upper part

Connection geometry: 045

Thread G1: M10-M

Fitting length: 7.2 mm

Construction: Self Locking



SC-A 045 M14x1.5-AG L

Part no. 10.01.06.02820

Schmalz-Connector upper part

Connection geometry: 045

Thread G1: M14x1.5-M

Fitting length: 7.2 mm

Construction: Self Locking



SC-A 045 RA L

Part no. 10.01.06.02813

Schmalz-Connector upper part

Connection geometry: 045

Vacuum connection:

Rectangular adapter

Fitting length: 9.5 mm

Construction: Self Locking



SC-S 045 FDC-L

Part no. 10.01.06.02803

Schmalz-Connector lower part

Size: 045

Construction:

Frict elem with Self lock