

SC-A 045 NPT3/8-IG L

Part no.: 10.01.06.02939

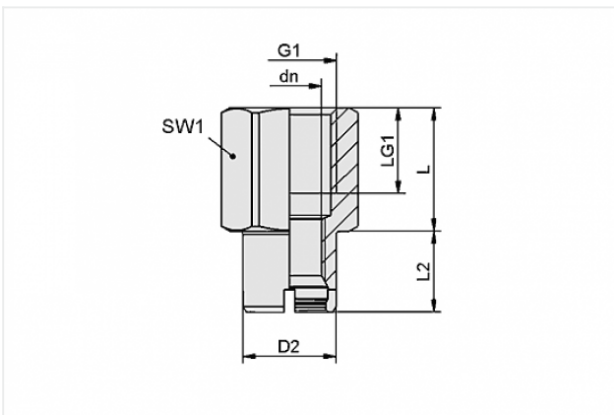
Homepage > Vacuum Technology for Automation > Vacuum Components > Vacuum Suction Cups > Suction Cups for Handling Sheet Metal > SC-A 045 NPT3/8-IG L

Schmalz-Connector upper part



Connection geometry: 045
Thread G1: NPT3/8-F
Fitting length: 17.2 mm
Construction: Self Locking

Design Data



Attribute	Value
dn	6.9 mm
D2	10.5 mm
G1	NPT3/8-F
L	17.2 mm
L2	7.8 mm
LG1	14 mm
SW1	22 mm

Technical Data

Attribute	Value
Connection geometry	045

Contact to Schmalz



Attribute	Value
Material	Brass
Weight	12.6 g
