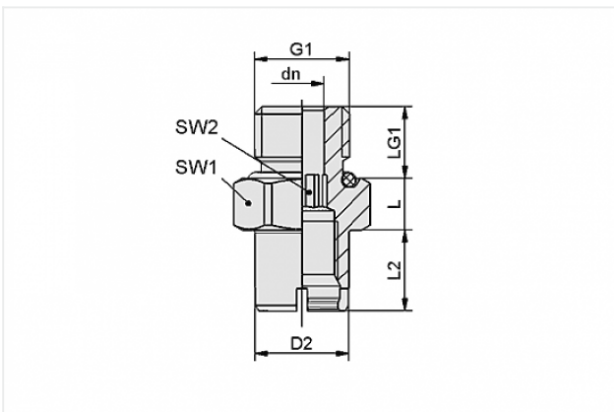


### Schmalz-Connector upper part



Connection geometry: 045  
Thread G1: M16x1.5-M  
Fitting length: 7.7 mm  
Construction: Self Locking

### Design Data



Attribute	Value
-----------	-------

dn	5.1 mm
D2	10.5 mm
G1	M16x1.5-M
L	7.7 mm
L2	7.8 mm
LG1	10 mm
SW1	22 mm
SW2	5 mm

### Technical Data

#### Contact to Schmalz



Attribute	Value
Connection geometry	045
Material	Aluminium
Weight	13.4 g

---

---