

SC-A 045 M16-AG L

Part no.: 10.01.06.03299

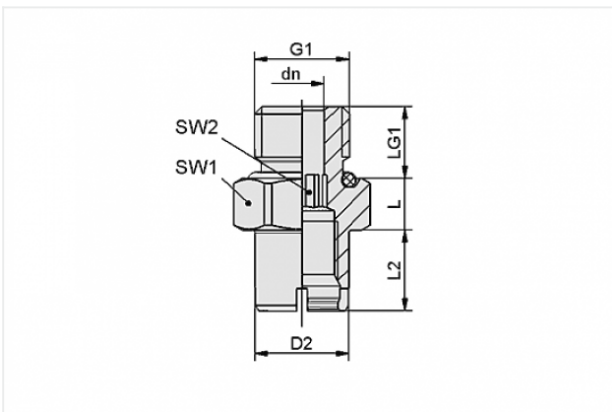
Homepage > Vacuum Technology for Automation > Vacuum Components > Vacuum Suction Cups > Suction Cups for Handling Sheet Metal > SC-A 045 M16-AG L

Schmalz-Connector upper part



Connection geometry: 045
Thread G1: M16-M
Fitting length: 7.7 mm
Construction: Self Locking

Design Data



Attribute	Value
-----------	-------

dn	5.1 mm
----	--------

D2	10.5 mm
----	---------

G1	M16-M
----	-------

L	7.7 mm
---	--------

L2	7.8 mm
----	--------

LG1	11 mm
-----	-------

SW1	22 mm
-----	-------

SW2	5 mm
-----	------

Technical Data

Contact to Schmalz



Attribute	Value
Connection geometry	045
Material	Aluminium
Weight	13.4 g