

SC-A 045 M14x1-IG L

Part no.: 10.01.06.03382

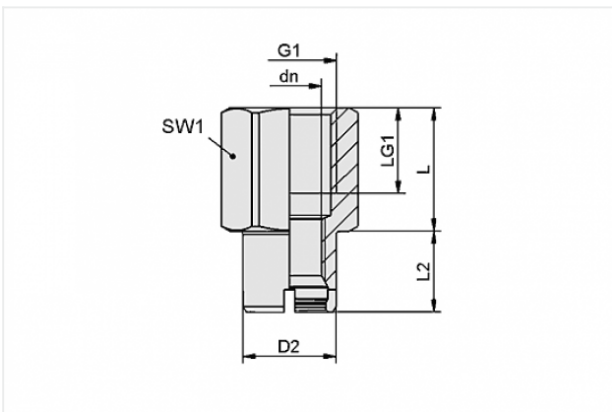
Homepage > Vacuum Technology for Automation > Vacuum Components > Vacuum Suction Cups > Suction Cups for Handling Sheet Metal > SC-A 045 M14x1-IG L

Schmalz-Connector upper part



Connection geometry: 045
Thread G1: M14x1-F
Fitting length: 25.2 mm
Construction: Self Locking

Design Data



Attribute	Value
dn	6.9 mm
D2	10.5 mm
G1	M14x1-F
L	25.2 mm
L2	7.8 mm
LG1	7.8 mm
SW1	19 mm

Technical Data

Attribute	Value
Connection geometry	045

Contact to Schmalz



Attribute	Value
Material	Aluminium
Weight	15.4 g
