

Schmalz-Connector-Adapter

<https://www.schmalz.com/10.01.06.03185>



SC-A 045 M12x1.5-AG L

Part no.: 10.01.06.03185

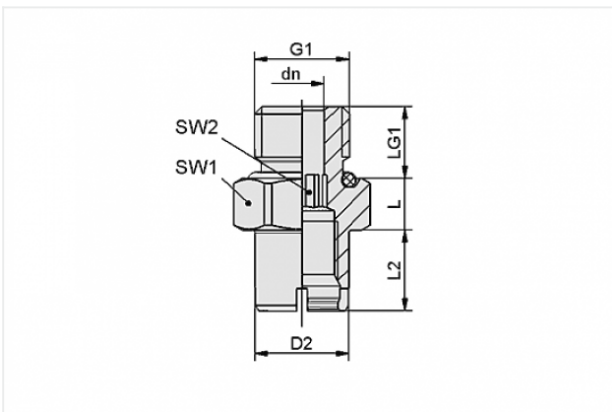
Homepage > Vacuum Technology for Automation > Vacuum Components > Vacuum Suction Cups > Suction Cups for Handling Sheet Metal > SC-A 045 M12x1.5-AG L

Schmalz-Connector upper part



Connection geometry: 045
Thread G1: M12x1.5-M
Fitting length: 8 mm
Construction: Self Locking

Design Data



Attribute	Value
-----------	-------

dn	5.1 mm
----	--------

D2	10.5 mm
----	---------

G1	M12x1.5-M
----	-----------

L	8 mm
---	------

L2	7.8 mm
----	--------

LG1	12 mm
-----	-------

SW1	17 mm
-----	-------

SW2	5 mm
-----	------

Technical Data

Contact to Schmalz

J. Schmalz GmbH | Johannes-Schmalz-Straße, 72293 Glatten, Deutschland | +49 7443 2403-102 | customercenter@schmalz.de



Attribute	Value
Connection geometry	045
Material	Aluminium
Weight	9.3 g
