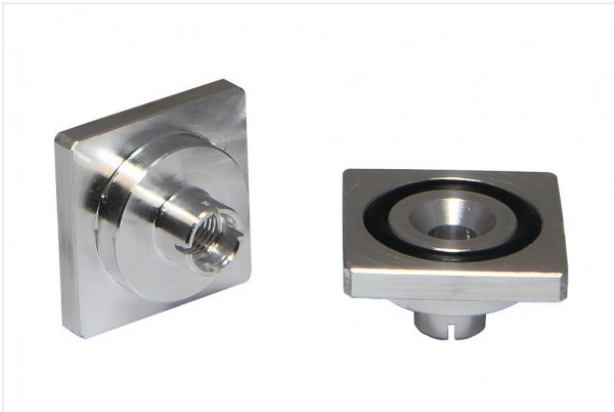
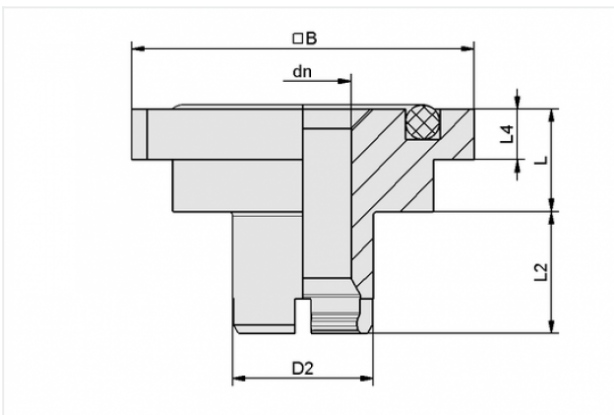


Schmalz-Connector upper part



Connection geometry: 045
 Vacuum connection:
 Rectangular adapter
 Fitting length: 9.5 mm
 Construction: Self Locking

Design Data



Attribute	Value
B	31.8 mm
dn	6.9 mm
D2	10.5 mm
L	9.5 mm
L2	7.8 mm
L4	4.7 mm

Technical Data

Attribute	Value
Connection	Rectangular adapter
Connection geometry	045

Contact to Schmalz



Attribute	Value
Weight	17.4 g
