

## SC-A 045 M10-AG L

Part no.: 10.01.06.02819

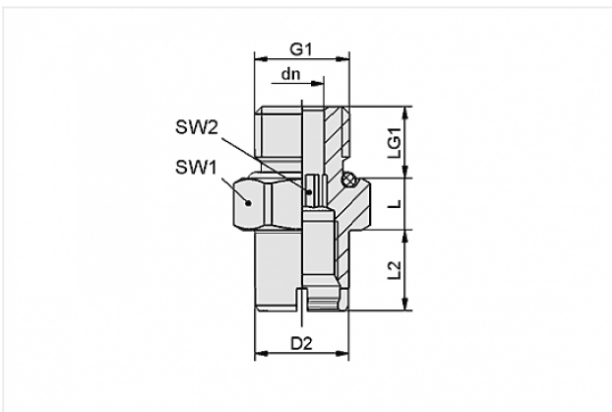
Homepage > Vacuum Technology for Automation > Vacuum Components > Vacuum Suction Cups > Suction Cups for Handling Sheet Metal > SC-A 045 M10-AG L

### Schmalz-Connector upper part



Connection geometry: 045  
Thread G1: M10-M  
Fitting length: 7.2 mm  
Construction: Self Locking

### Design Data



Attribute	Value
-----------	-------

dn	4.1 mm
----	--------

D2	10.5 mm
----	---------

G1	M10-M
----	-------

L	7.2 mm
---	--------

L2	7.8 mm
----	--------

LG1	10 mm
-----	-------

SW1	17 mm
-----	-------

SW2	4 mm
-----	------

### Technical Data

#### Contact to Schmalz



Attribute	Value
Connection geometry	045
Material	Aluminium
Weight	6.1 g

---

---