

SC-A 045 G3/8-IG L

Part no.: 10.01.06.02737

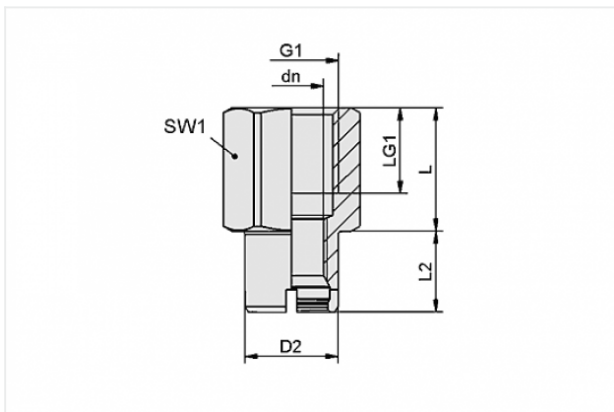
Homepage > Vacuum Technology for Automation > Vacuum Components > Vacuum Suction Cups > Suction Cups for Handling Sheet Metal > SC-A 045 G3/8-IG L

Schmalz-Connector upper part



Connection geometry: 045
Thread G1: G3/8-F
Fitting length: 17.2 mm
Construction: Self Locking

Design Data



Attribute	Value
-----------	-------

dn	6.9 mm
----	--------

D2	10.5 mm
----	---------

G1	G3/8"-F
----	---------

L	17.2 mm
---	---------

L2	7.8 mm
----	--------

LG1	12 mm
-----	-------

SW1	22 mm
-----	-------

Technical Data

Attribute	Value
Connection geometry	045

Contact to Schmalz

J. Schmalz GmbH | Johannes-Schmalz-Straße, 72293 Glatten, Deutschland | +49 7443 2403-102 | customercenter@schmalz.de



Attribute	Value
Material	Aluminium
Weight	12.3 g
