

Schmalz-Connector-Adapter

<https://www.schmalz.com/10.01.06.02807>



SC-A 045 G3/8-AG L

Part no.: 10.01.06.02807

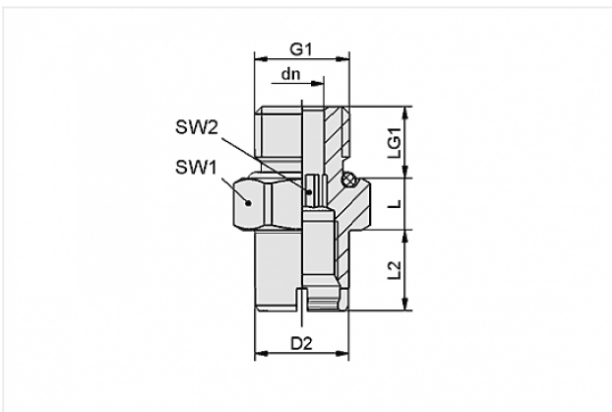
Homepage > Vacuum Technology for Automation > Vacuum Components > Vacuum Suction Cups > Suction Cups for Handling Sheet Metal > SC-A 045 G3/8-AG L

Schmalz-Connector upper part



Connection geometry: 045
Thread G1: G3/8-M
Fitting length: 7.7 mm
Construction: Self Locking

Design Data



Attribute	Value
-----------	-------

dn	5.1 mm
----	--------

D2	10.5 mm
----	---------

G1	G3/8"-M
----	---------

L	7.7 mm
---	--------

L2	7.8 mm
----	--------

LG1	10 mm
-----	-------

SW1	22 mm
-----	-------

SW2	5 mm
-----	------

Technical Data

Contact to Schmalz

J. Schmalz GmbH | Johannes-Schmalz-Straße, 72293 Glatten, Deutschland | +49 7443 2403-102 | customercenter@schmalz.de



Attribute	Value
Connection geometry	045
Material	Aluminium
Weight	13.2 g