

## SC-A 045 G1/4-IG L

Part no.: 10.01.06.02736

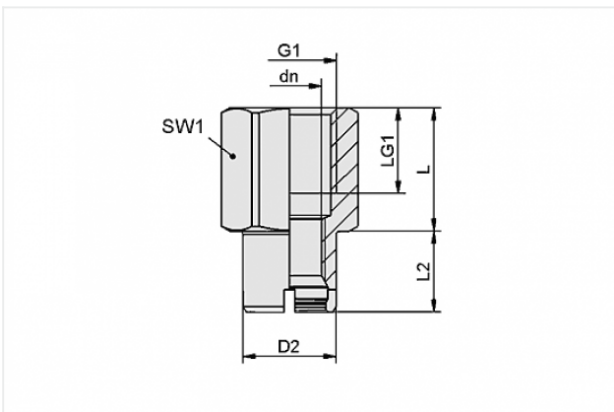
Homepage > Vacuum Technology for Automation > Vacuum Components > Vacuum Suction Cups > Suction Cups for Handling Sheet Metal > SC-A 045 G1/4-IG L

### Schmalz-Connector upper part



Connection geometry: 045  
 Thread G1: G1/4-F  
 Fitting length: 17.2 mm  
 Construction: Self Locking

### Design Data



Attribute	Value
dn	6.9 mm
D2	10.5 mm
G1	G1/4"-F
L	17.2 mm
L2	7.8 mm
LG1	12 mm
SW1	17 mm

### Technical Data

Attribute	Value
Connection geometry	045

### Contact to Schmalz



Attribute	Value
Material	Aluminium
Weight	7.6 g

---

---