

## SC-A 045 G1/4-AG L

Part no.: 10.01.06.02818

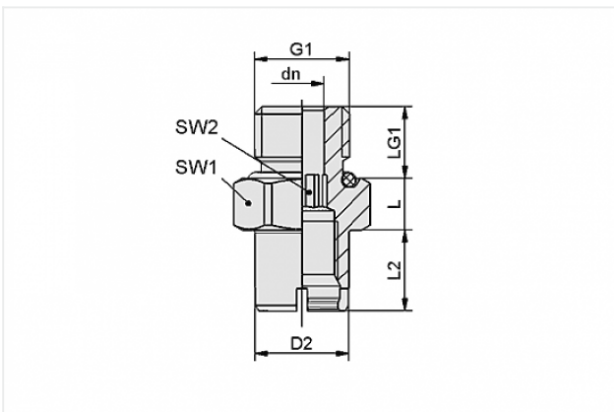
Homepage > Vacuum Technology for Automation > Vacuum Components > Vacuum Suction Cups > Suction Cups for Handling Sheet Metal > SC-A 045 G1/4-AG L

### Schmalz-Connector upper part



Connection geometry: 045  
Thread G1: G1/4-M  
Fitting length: 7.2 mm  
Construction: Self Locking

### Design Data



| Attribute | Value |
|-----------|-------|
|-----------|-------|

|    |        |
|----|--------|
| dn | 5.1 mm |
|----|--------|

|    |         |
|----|---------|
| D2 | 10.5 mm |
|----|---------|

|    |         |
|----|---------|
| G1 | G1/4"-M |
|----|---------|

|   |        |
|---|--------|
| L | 7.2 mm |
|---|--------|

|    |        |
|----|--------|
| L2 | 7.8 mm |
|----|--------|

|     |       |
|-----|-------|
| LG1 | 10 mm |
|-----|-------|

|     |       |
|-----|-------|
| SW1 | 17 mm |
|-----|-------|

|     |      |
|-----|------|
| SW2 | 5 mm |
|-----|------|

### Technical Data

#### Contact to Schmalz

J. Schmalz GmbH | Johannes-Schmalz-Straße, 72293 Glatten, Deutschland | +49 7443 2403-102 | [customercenter@schmalz.de](mailto:customercenter@schmalz.de)



| Attribute           | Value     |
|---------------------|-----------|
| Connection geometry | 045       |
| Material            | Aluminium |
| Weight              | 9.5 g     |