

Bell suction cup (round)

<https://www.schmalz.com/10.01.19.00235>



SAX 115 ED-85 M16-AG

Part no.: 10.01.19.00235

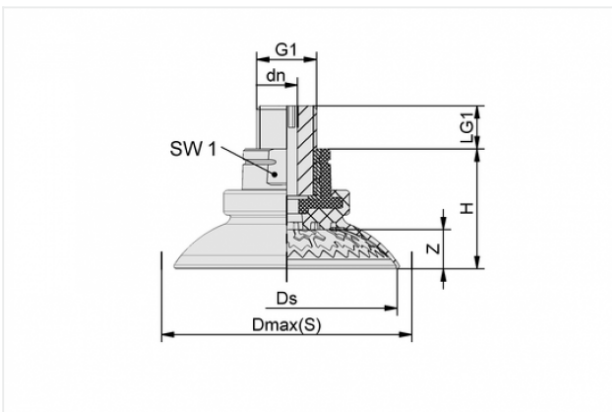
Homepage > Vacuum Technology for Automation > Vacuum Components > Vacuum Suction Cups > Suction Cups for Handling Sheet Metal > Bell-Shaped Suction Cups SAX > SAX 115 ED-85 M16-AG

Bell suction cup (round) for best adaptation to strongly curved surfaces



Size: 115
Suction cup material: Elastodur
Material hardness: 85 °Sh
Vacuum connection: M16-M
Nipple material: Aluminium

Design Data



Attribute	Value
-----------	-------

dn	6.1 mm
Dmax(S)	129.4 mm
Ds	116 mm
G1	M16-M
H	42.6 mm
LG1	12 mm
SW1	22 mm
Z	20.2 mm

Technical Data

Contact to Schmalz

J. Schmalz GmbH | Johannes-Schmalz-Straße, 72293 Glatten, Deutschland | +49 7443 2403-102 | customercenter@schmalz.de

Attribute	Value
Suction force	549 N
Lateral force	390 N
Lateral force (oily surface)	584 N
Volume	142 cm ³
Curve radius (min) (convex)	50 mm
Size	115
Connection	M16-M
Number of folds	0
Suction cup material	Elastodur
Material hardness	85 °Sh
Weight	76 g
Product family	SAX

***The specified suction forces are theoretical values at a vacuum of -0.6 bar and with a smooth, dry workpiece surface - they do not include a safety factor.**

****The specified lateral forces are values measured at a vacuum of -0.6 bar with a dry or oily, smooth, flat workpiece surface. Depending on the workpiece surface and its quality, the actual values may deviate from these values.**

*****The recommended hose diameter refers to a hose length of approx. 2 m.**