

# Bell suction cup (round)

<https://www.schmalz.com/10.01.19.00222>



## SAX 50 ED-85 M10-AG

Part no.: 10.01.19.00222

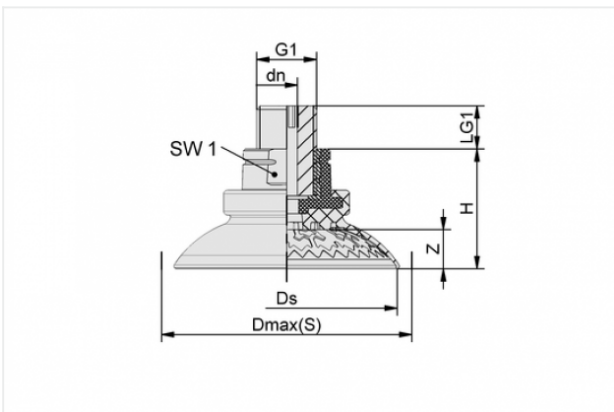
Homepage > Vacuum Technology for Automation > Vacuum Components > Vacuum Suction Cups > Suction Cups for Handling Sheet Metal > Bell-Shaped Suction Cups SAX > SAX 50 ED-85 M10-AG

### Bell suction cup (round) for best adaptation to strongly curved surfaces



Size: 50  
Suction cup material: Elastodur  
Material hardness: 85 °Sh  
Vacuum connection: M10-M  
Nipple material: Aluminium

#### Design Data



Attribute	Value
-----------	-------

dn	4.1 mm
----	--------

Dmax(S)	58.4 mm
---------	---------

Ds	51.5 mm
----	---------

G1	M10-M
----	-------

H	29.6 mm
---	---------

LG1	14.5 mm
-----	---------

SW1	22 mm
-----	-------

Z	8.4 mm
---	--------

#### Technical Data

#### Contact to Schmalz

J. Schmalz GmbH | Johannes-Schmalz-Straße, 72293 Glatten, Deutschland | +49 7443 2403-102 | [customercenter@schmalz.de](mailto:customercenter@schmalz.de)

Attribute	Value
Suction force	109 N
Lateral force	74 N
Lateral force (oily surface)	110 N
Volume	15.2 cm <sup>3</sup>
Curve radius (min) (convex)	25 mm
Size	50
Connection	M10-M
Number of folds	0
Suction cup material	Elastodur
Material hardness	85 °Sh
Weight	35.2 g
Product family	SAX

**\*The specified suction forces are theoretical values at a vacuum of -0.6 bar and with a smooth, dry workpiece surface - they do not include a safety factor.**

**\*\*The specified lateral forces are values measured at a vacuum of -0.6 bar with a dry or oily, smooth, flat workpiece surface. Depending on the workpiece surface and its quality, the actual values may deviate from these values.**

**\*\*\*The recommended hose diameter refers to a hose length of approx. 2 m.**