

Bell suction cup (round)

<https://www.schmalz.com/10.01.19.00230>



SAX 40 ED-85 M16-AG

Part no.: 10.01.19.00230

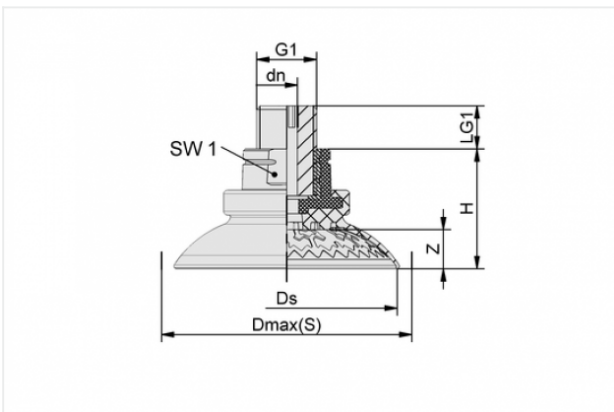
Homepage > Vacuum Technology for Automation > Vacuum Components > Vacuum Suction Cups > Suction Cups for Handling Sheet Metal > Bell-Shaped Suction Cups SAX > SAX 40 ED-85 M16-AG

Bell suction cup (round) for best adaptation to strongly curved surfaces



Size: 40
Suction cup material: Elastodur
Material hardness: 85 °Sh
Vacuum connection: M16-M
Nipple material: Aluminium

Design Data



Attribute	Value
-----------	-------

dn	6.1 mm
----	--------

Dmax(S)	45.4 mm
---------	---------

Ds	41.3 mm
----	---------

G1	M16-M
----	-------

H	29.3 mm
---	---------

LG1	12 mm
-----	-------

SW1	22 mm
-----	-------

Z	7.1 mm
---	--------

Technical Data

Contact to Schmalz

J. Schmalz GmbH | Johannes-Schmalz-Straße, 72293 Glatten, Deutschland | +49 7443 2403-102 | customercenter@schmalz.de

Attribute	Value
Suction force	69 N
Lateral force	49 N
Lateral force (oily surface)	71 N
Volume	8.5 cm ³
Curve radius (min) (convex)	25 mm
Size	40
Connection	M16-M
Number of folds	0
Suction cup material	Elastodur
Material hardness	85 °Sh
Weight	36.5 g
Product family	SAX

***The specified suction forces are theoretical values at a vacuum of -0.6 bar and with a smooth, dry workpiece surface - they do not include a safety factor.**

****The specified lateral forces are values measured at a vacuum of -0.6 bar with a dry or oily, smooth, flat workpiece surface. Depending on the workpiece surface and its quality, the actual values may deviate from these values.**

*****The recommended hose diameter refers to a hose length of approx. 2 m.**