

Bellows suction cup (oval)

<https://www.schmalz.com/10.01.06.02445>



SAOB 80x40 HT2-65 G3/8-IG

Part no.: 10.01.06.02445

Homepage > Vacuum Technology for Automation > Vacuum Components > Vacuum Suction Cups > Bellows Suction Cups (Oval) > Bellows Suction Cups SAOB HT2 (Oval, 1.5 Folds) > SAOB 80x40 HT2-65 G3/8-IG

Bellows suction cup (oval) for best dynamics



Dimensions (LxB): 80 x 40 mm

Suction cup material:

High temp material HT2

Material hardness: 65 °Sh

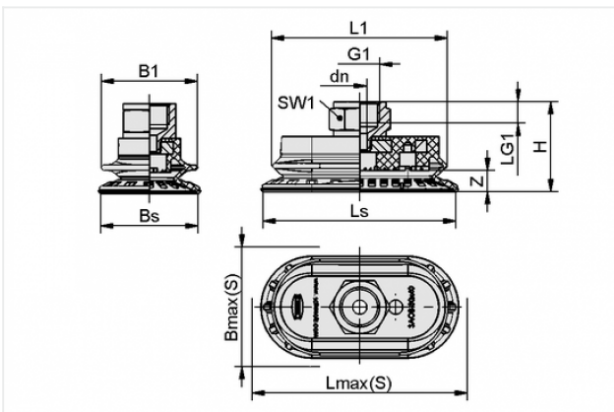
Temperature resistance: 200 °C

Number of folds: 1.5

Nipple material: Steel

Vacuum connection: G3/8-F

Design Data



Attribute	Value
-----------	-------

B1	40 mm
----	-------

Bmax(S)	43 mm
---------	-------

Bs	40.6 mm
----	---------

dn	6 mm
----	------

G1	G3/8"-F
----	---------

H	37.7 mm
---	---------

L1	73.3 mm
----	---------

LG1	9 mm
-----	------

Lmax(S)	83 mm
---------	-------

Ls	80.6 mm
----	---------

SW1	22 mm
-----	-------

Z	9 mm
---	------

Contact to Schmalz

J. Schmalz GmbH | Johannes-Schmalz-Straße, 72293 Glatten, Deutschland | +49 7443 2403-102 | customercenter@schmalz.de

Technical Data

Attribute	Value
Suction force	65 N
Pull-off force	100 N
Lateral force	98 N
Volume	20.6 cm ³
Curve radius (min) (convex)	40 mm
Internal hose diameter (recom.)	6 mm
Dimensions (LxB)	80 x 40 mm
Number of folds	1.5
Suction cup material	High temp material HT2
Material hardness	65 °Sh
Weight	79.4 g
Product family	SAOB