

Bellows suction cup (oval)

<https://www.schmalz.com/10.01.06.02446>



SAOB 80x40 HT2-65 G1/4-IG

Part no.: 10.01.06.02446

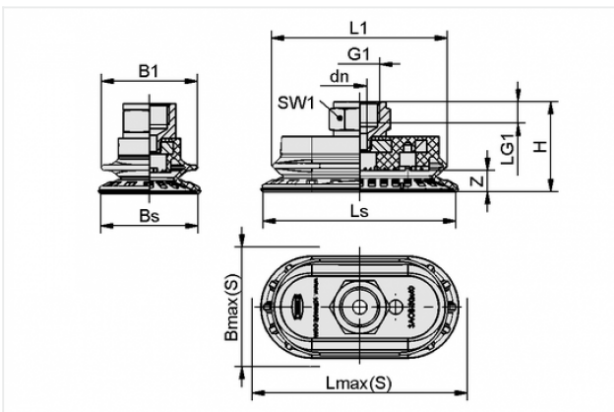
Homepage > Vacuum Technology for Automation > Vacuum Components > Vacuum Suction Cups > Bellows Suction Cups (Oval) > Bellows Suction Cups SAOB HT2 (Oval, 1.5 Folds) > SAOB 80x40 HT2-65 G1/4-IG

Bellows suction cup (oval) for best dynamics



Dimensions (LxB): 80 x 40 mm
Suction cup material:
High temp material HT2
Material hardness: 65 °Sh
Temperature resistance: 200 °C
Number of folds: 1.5
Nipple material: Brass, nickel-plated
Vacuum connection: G1/4-F

Design Data



Attribute	Value
-----------	-------

B1	40 mm
Bmax(S)	43 mm
Bs	40.6 mm
dn	6 mm
G1	G1/4"-F
H	37.2 mm
L1	73.3 mm
LG1	8 mm
Lmax(S)	83 mm
Ls	80.6 mm
SW1	17 mm
Z	9 mm

Contact to Schmalz

J. Schmalz GmbH | Johannes-Schmalz-Straße, 72293 Glatten, Deutschland | +49 7443 2403-102 | customercenter@schmalz.de

Technical Data

Attribute	Value
Suction force	65 N
Pull-off force	100 N
Lateral force	98 N
Volume	20.6 cm ³
Curve radius (min) (convex)	40 mm
Internal hose diameter (recom.)	6 mm
Dimensions (LxB)	80 x 40 mm
Number of folds	1.5
Suction cup material	High temp material HT2
Material hardness	65 °Sh
Weight	66.8 g
Product family	SAOB
