

# Bellows suction cup (oval)

<https://www.schmalz.com/10.01.06.02447>



## SAOB 80x40 HT2-65 G1/4-AG

Part no.: 10.01.06.02447

Homepage > Vacuum Technology for Automation > Vacuum Components > Vacuum Suction Cups > Bellows Suction Cups (Oval) > Bellows Suction Cups SAOB HT2 (Oval, 1.5 Folds) > SAOB 80x40 HT2-65 G1/4-AG

### Bellows suction cup (oval) for best dynamics



Dimensions (LxB): 80 x 40 mm

Suction cup material:

High temp material HT2

Material hardness: 65 °Sh

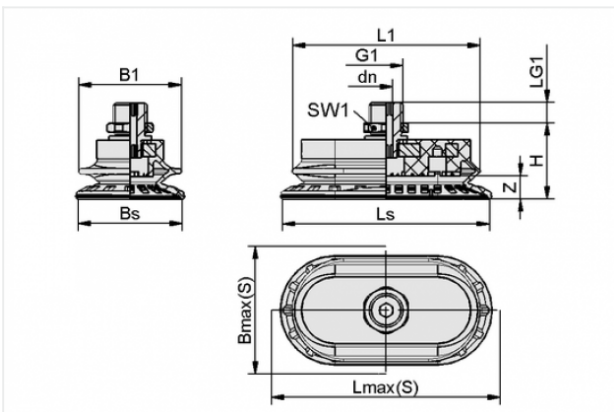
Temperature resistance: 200 °C

Number of folds: 1.5

Nipple material: Aluminium

Vacuum connection: G1/4-M

### Design Data



| Attribute | Value |
|-----------|-------|
|-----------|-------|

|    |       |
|----|-------|
| B1 | 40 mm |
|----|-------|

|         |       |
|---------|-------|
| Bmax(S) | 43 mm |
|---------|-------|

|    |         |
|----|---------|
| Bs | 40.6 mm |
|----|---------|

|    |      |
|----|------|
| dn | 5 mm |
|----|------|

|    |         |
|----|---------|
| G1 | G1/4"-M |
|----|---------|

|   |         |
|---|---------|
| H | 29.7 mm |
|---|---------|

|    |         |
|----|---------|
| L1 | 73.3 mm |
|----|---------|

|     |      |
|-----|------|
| LG1 | 8 mm |
|-----|------|

|         |       |
|---------|-------|
| Lmax(S) | 83 mm |
|---------|-------|

|    |         |
|----|---------|
| Ls | 80.6 mm |
|----|---------|

|     |       |
|-----|-------|
| SW1 | 17 mm |
|-----|-------|

|   |      |
|---|------|
| Z | 9 mm |
|---|------|

### Contact to Schmalz

J. Schmalz GmbH | Johannes-Schmalz-Straße, 72293 Glatten, Deutschland | +49 7443 2403-102 | [customercenter@schmalz.de](mailto:customercenter@schmalz.de)

## Technical Data

| Attribute                       | Value                  |
|---------------------------------|------------------------|
| Suction force                   | 65 N                   |
| Pull-off force                  | 100 N                  |
| Lateral force                   | 98 N                   |
| Volume                          | 20.6 cm <sup>3</sup>   |
| Curve radius (min) (convex)     | 40 mm                  |
| Internal hose diameter (recom.) | 6 mm                   |
| Dimensions (LxB)                | 80 x 40 mm             |
| Number of folds                 | 1.5                    |
| Suction cup material            | High temp material HT2 |
| Material hardness               | 65 °Sh                 |
| Weight                          | 57.9 g                 |
| Product family                  | SAOB                   |

---

---