

Bellows suction cup (oval)

<https://www.schmalz.com/10.01.06.02443>



SAOB 60x30 HT2-65 G1/4-AG

Part no.: 10.01.06.02443

Homepage > Vacuum Technology for Automation > Vacuum Components > Vacuum Suction Cups > Bellows Suction Cups (Oval) > Bellows Suction Cups SAOB HT2 (Oval, 1.5 Folds) > SAOB 60x30 HT2-65 G1/4-AG

Bellows suction cup (oval) for best dynamics



Dimensions (LxB): 60 x 30 mm

Suction cup material:

High temp material HT2

Material hardness: 65 °Sh

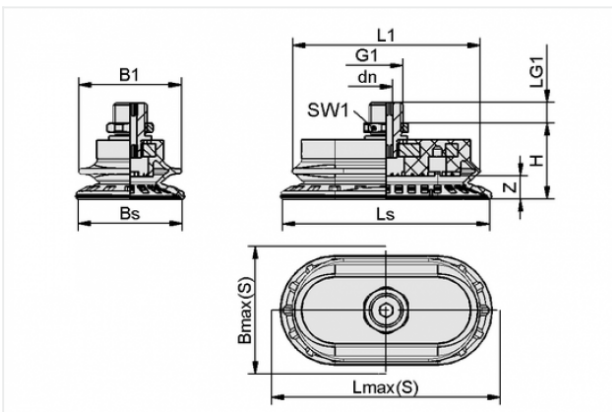
Temperature resistance: 200 °C

Number of folds: 1.5

Nipple material: Aluminium

Vacuum connection: G1/4-M

Design Data



Attribute	Value
-----------	-------

B1	31 mm
----	-------

Bmax(S)	33 mm
---------	-------

Bs	30.6 mm
----	---------

dn	5 mm
----	------

G1	G1/4"-M
----	---------

H	27 mm
---	-------

L1	55.7 mm
----	---------

LG1	8 mm
-----	------

Lmax(S)	63 mm
---------	-------

Ls	60.6 mm
----	---------

SW1	17 mm
-----	-------

Z	7 mm
---	------

Contact to Schmalz

J. Schmalz GmbH | Johannes-Schmalz-Straße, 72293 Glatten, Deutschland | +49 7443 2403-102 | customercenter@schmalz.de

Technical Data

Attribute	Value
Suction force	38 N
Pull-off force	55 N
Lateral force	56 N
Volume	9.6 cm ³
Curve radius (min) (convex)	30 mm
Internal hose diameter (recom.)	4 mm
Dimensions (LxB)	60 x 30 mm
Number of folds	1.5
Suction cup material	High temp material HT2
Material hardness	65 °Sh
Weight	44.5 g
Product family	SAOB
